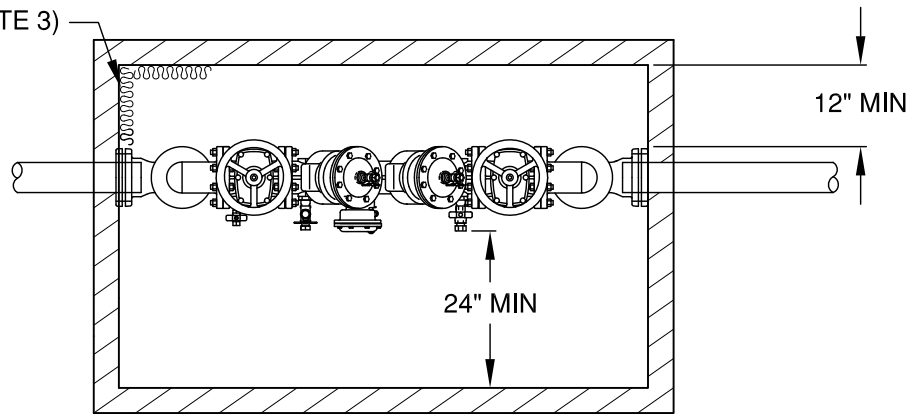


**DRAWING IS FOR  
REFERENCE ONLY**

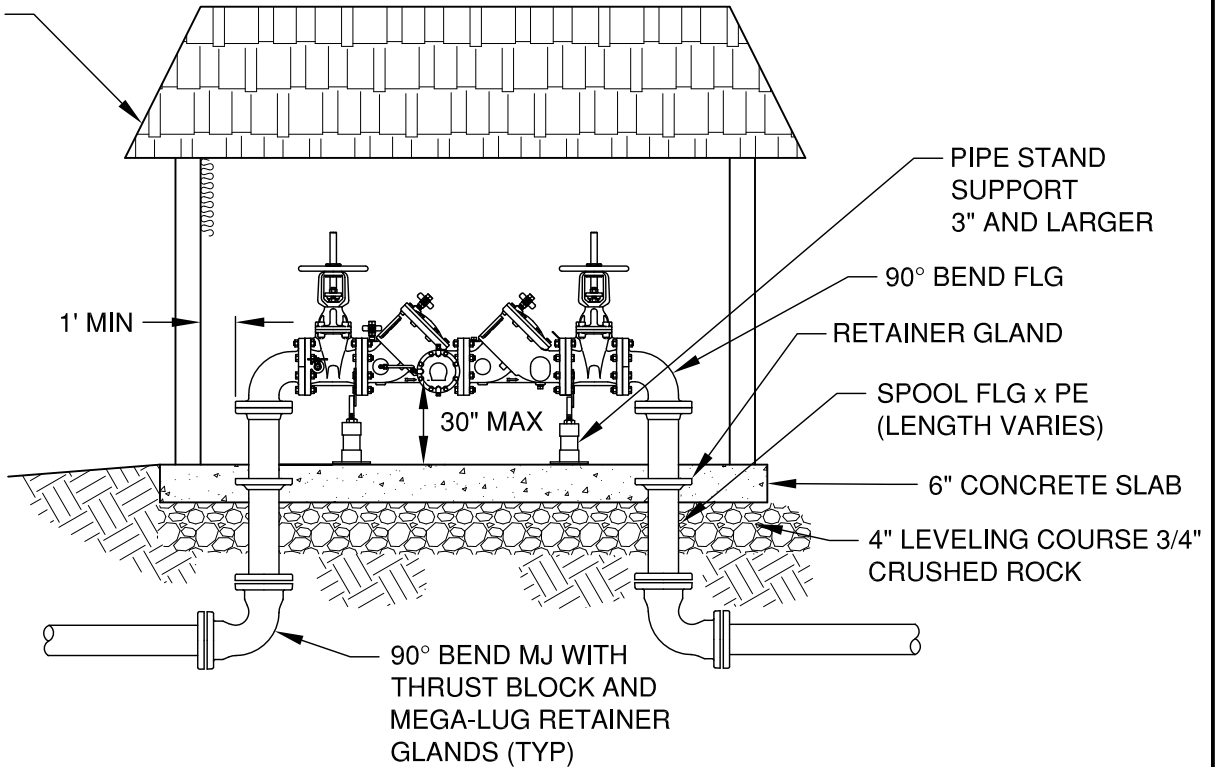
WHERE THE STRUCTURE IS PROPOSED  
OUTSIDE THE RIGHT OF WAY OR  
UTILITY EASEMENT

(SEE NOTE 3)



**PLAN**

HOT BOX,  
"HYDROCOWL"  
OR EQUAL



**PROFILE**

NOTES:

1. THIS DRAWING IS FOR REFERENCE ONLY. INSTALL PER PLUMBING CODE AND BUILDING DEPARTMENT REQUIREMENTS.
2. REDUCED PRESSURE BACKFLOW ASSEMBLY SHALL BE INSTALLED HORIZONTALLY UNLESS APPROVED FOR OTHER ORIENTATION
3. ALL CLEARANCES APPLY TO OUTSIDE, IN-BUILDING, AND VAULT INSTALLATIONS
4. STRUCTURE TO BE INSULATED AND/OR HAVE A HEAT SOURCE TO KEEP ENCLOSURE AT 40°F (NFPA 13-4-5.4.1.1)
5. ENCLOSURE SHALL INCLUDE A BORE SIGHTED DRAIN TO DAYLIGHT CAPABLE OF DRAINING A FULL RELIEF VALVE DISCHARGE
6. ALL ASSEMBLIES 2 1/2" AND LARGER SHALL BE FLANGED
7. HIGH OR LOW HAZARD CONNECTIONS SHALL BE IDENTIFIED AND VERIFIED WITH CITY CROSS CONNECTION SPECIALIST

DRAWN	LJC
DIV	WATER
REV	DATE



**CITY OF BEND**

**CITY OF BEND**

STANDARD DRAWING

710 NW WALL ST., BEND, OREGON 97701

**2 1/2" + REDUCED PRESSURE BACKFLOW ASSEMBLY**

SCALE NTS

DATE 12/1/17

APPR

STD DWG W-15B