

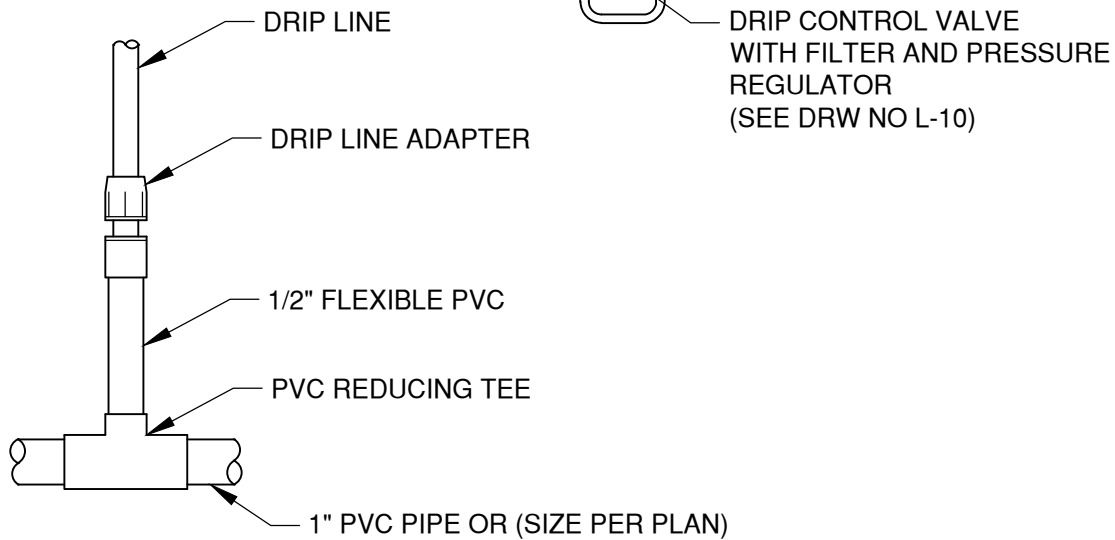
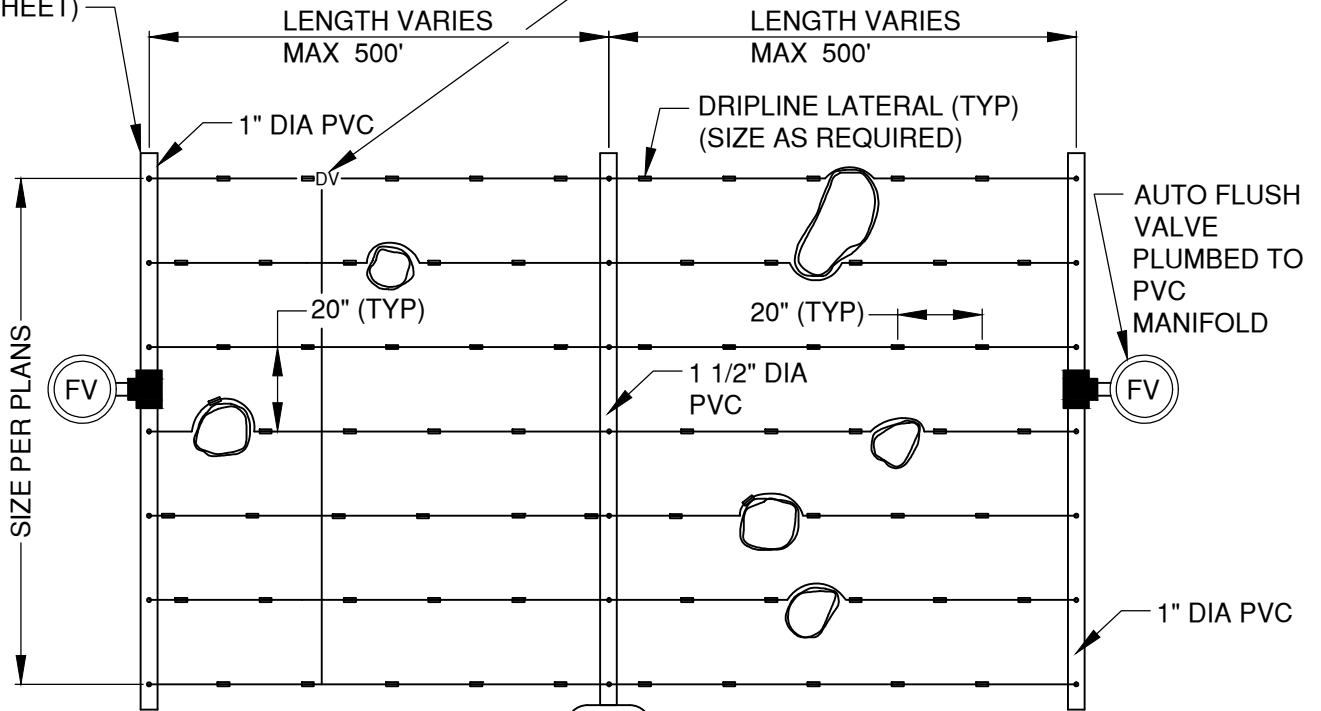
---

**CITY OF BEND STANDARD DRAWINGS**  
**Landscaping (L)**

---

PVC DRIPLINE FEEDER MANIFOLD (SEE DETAIL THIS SHEET)

AIR/VACUUM RELIEF VALVE (PLUMBED TO DRIPLINE AT EACH HIGH POINT)



**TYPICAL PVC DRIPLINE MANIFOLD CONNECTION**

NOTES:

1. RELOCATE DRIP LINES AROUND OBSTACLES AS NEEDED

DRAWN LJC	
DIV LNDSCP	
REV	DATE



CITY OF BEND

**CITY OF BEND**  
STANDARD DRAWING

710 NW WALL ST., BEND, OREGON 97701

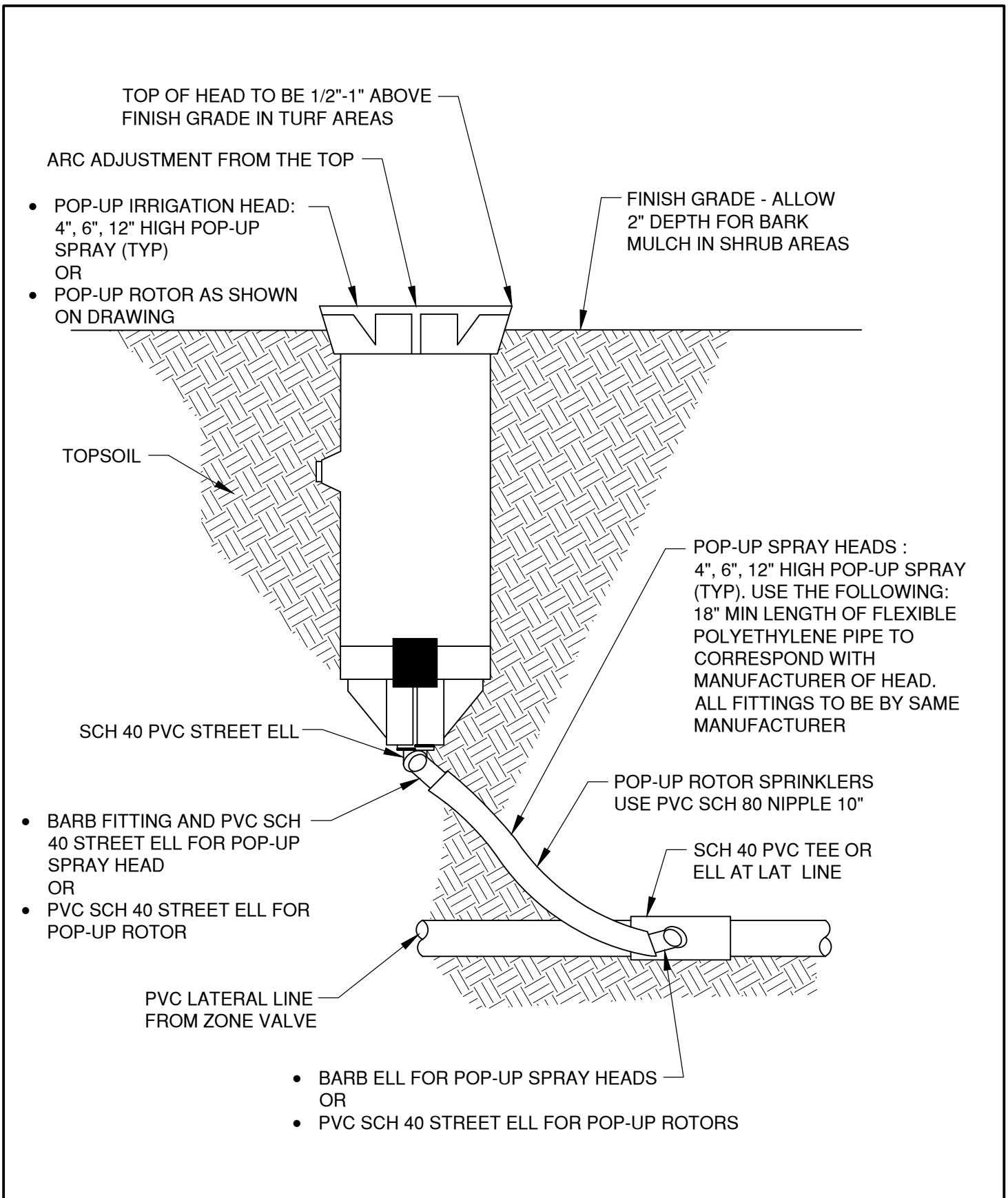
**PLANTING OR TURF BED DRIP LAYOUT**

SCALE NTS

DATE 12/1/17

APPR

STD DWG L-1



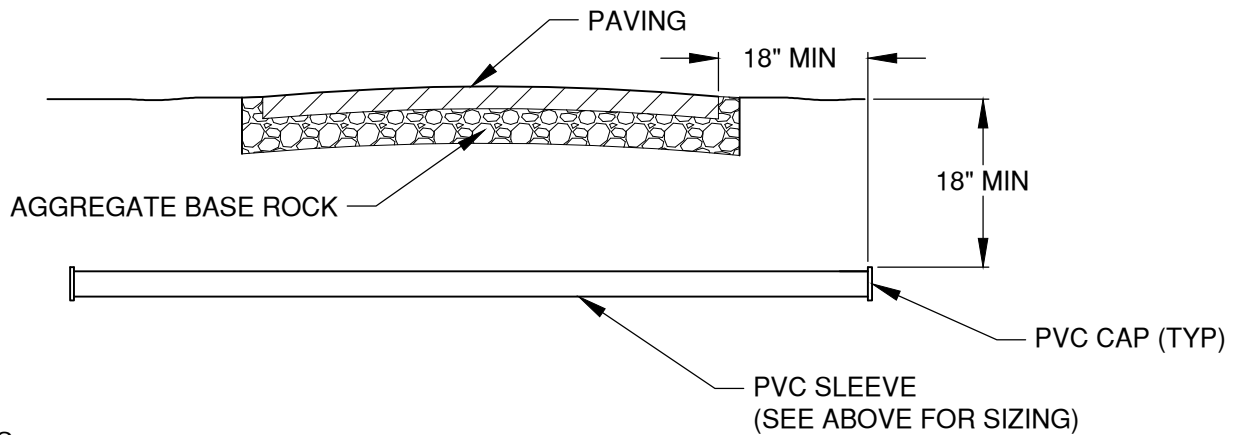
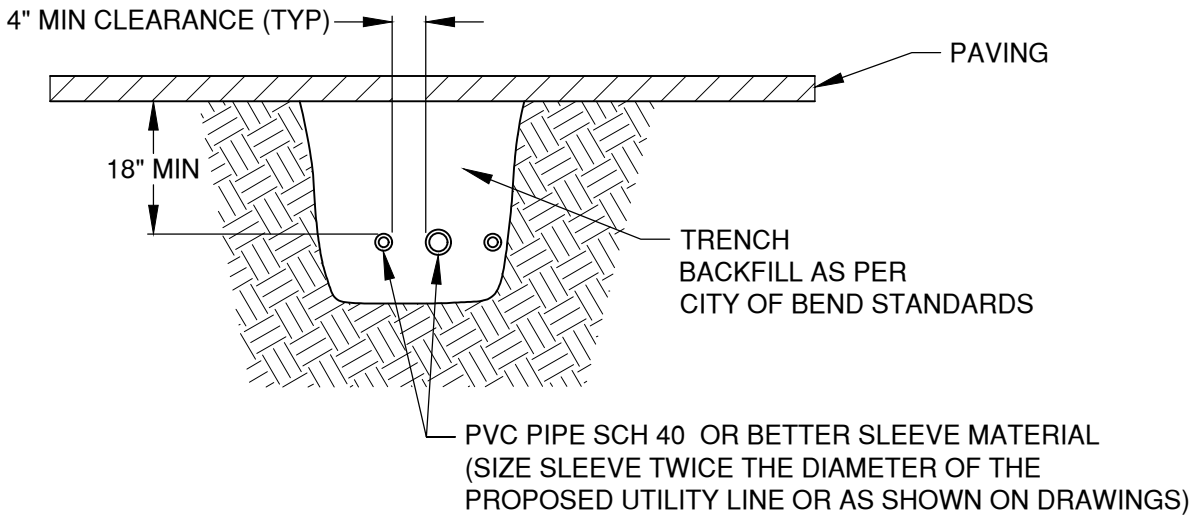
DRAWN LJC	
DIV LNDSCP	
REV	DATE



**CITY OF BEND**  
 STANDARD DRAWING  
 710 NW WALL ST., BEND, OREGON 97701

**SPRINKLER HEAD AND JOINTS**

SCALE NTS
DATE 12/1/17
APPR
STD DWG L-2



NOTES:

1. COMPACTION SHALL MEET 00405.46C PER CITY OF BEND SPECIAL PROVISIONS
2. 12" MIN COVER UNDER SIDEWALKS
3. SEE STD DWGS R-10 AND R-11 FOR TRENCH BACKFILL AND ROAD RESTORATION REQUIREMENTS.

DRAWN AJD	
DIV LNDSCP	
REV	DATE

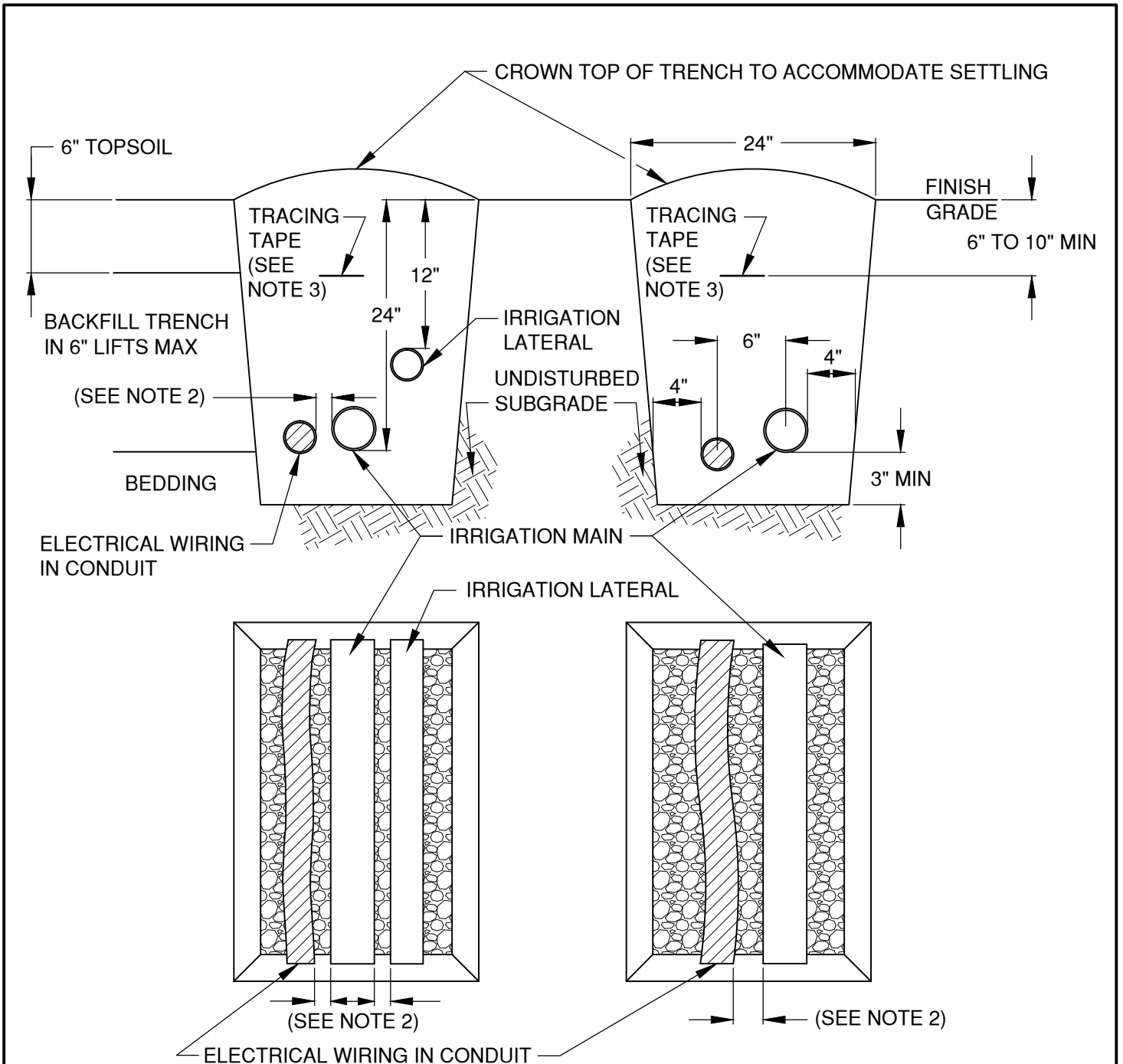


**CITY OF BEND**  
STANDARD DRAWING  
710 NW WALL ST., BEND, OREGON 97701

---

**IRRIGATION SLEEVE UNDER PAVING**

SCALE NTS
DATE 01/31/2022
APPR
STD DWG L-3



**NOTES:**

- 1. MINIMUM DEPTH OVER PVC PIPE:  
 10" FOR 1-1/4" OR SMALLER  
 12" FOR 1-1/2" TO 2" PIPE  
 14" FOR 2-1/2" TO 3" LATERALS  
 18" FOR MAINLINE PIPING AND SLEEVES
- 2. CLEARANCE BETWEEN PIPE:  
 4" FOR PIPE 2" AND SMALLER  
 6" FOR LARGER PIPE
- 3. PROVIDE A DETECTABLE TAPE OR WIRE USING A CONTINUOUS MINIMUM 14 GAUGE SINGLE STRAND LOCATOR WIRE IN TRENCH A MINIMUM 6" TO 10" BELOW FINISH GRADE. TRACING TAPE OR WIRE SHALL BE LOCATED A MINIMUM 6" ABOVE PIPING ON MAINLINE INSTALLATIONS

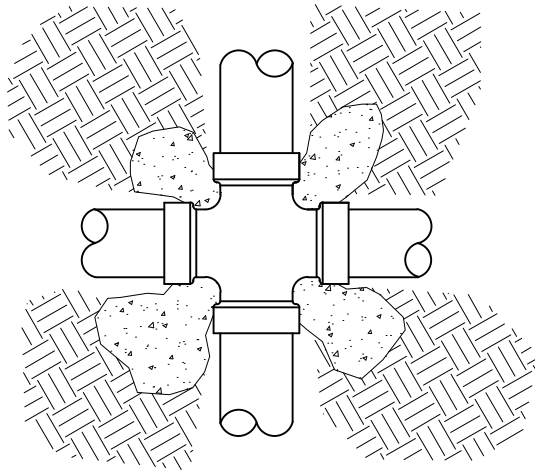
DRAWN LJC	
DIV LNDSCP	
REV	DATE



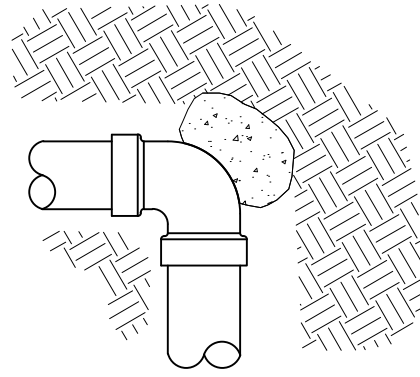
**CITY OF BEND**  
 STANDARD DRAWING  
 710 NW WALL ST., BEND, OREGON 97701

**IRRIGATION - TYPICAL TRENCH**

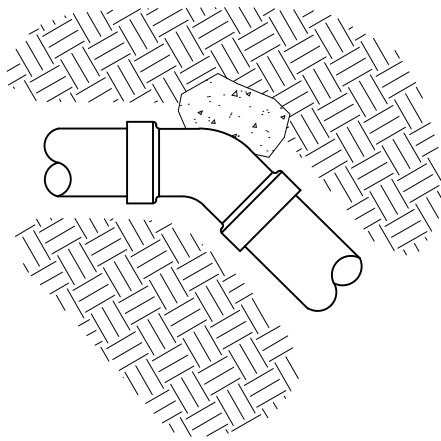
SCALE NTS
DATE 12/1/17
APPR
STD DWG L-4



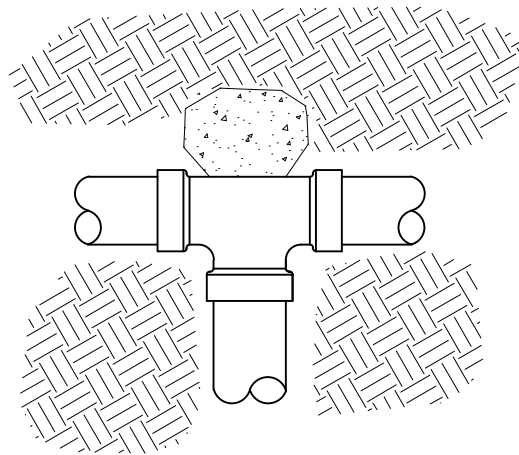
CROSS



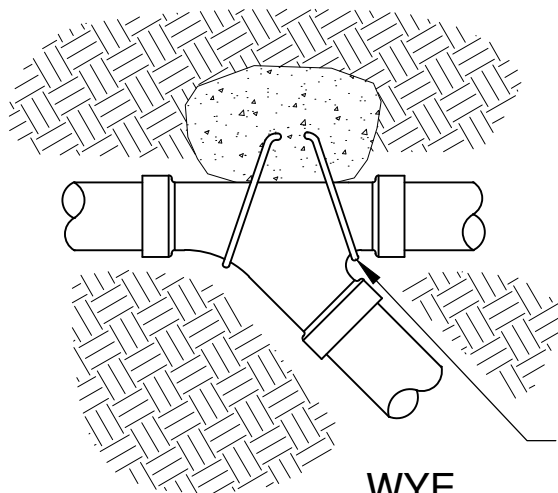
ELL



45° ELL



TEE



WYE

REBAR LOOP TIE

NOTES:

1. SUPPLY LINES 3" IN DIAMETER AND LARGER SHALL RECEIVE THRUST BLOCKS
2. USE A MINIMUM 1 CU FT OF CONCRETE IN EACH THRUST BLOCK POUR

DRAWN LJC	
DIV LNDSCP	
REV	DATE



CITY OF BEND

CITY OF BEND

STANDARD DRAWING

710 NW WALL ST., BEND, OREGON 97701

IRRIGATION FITTINGS

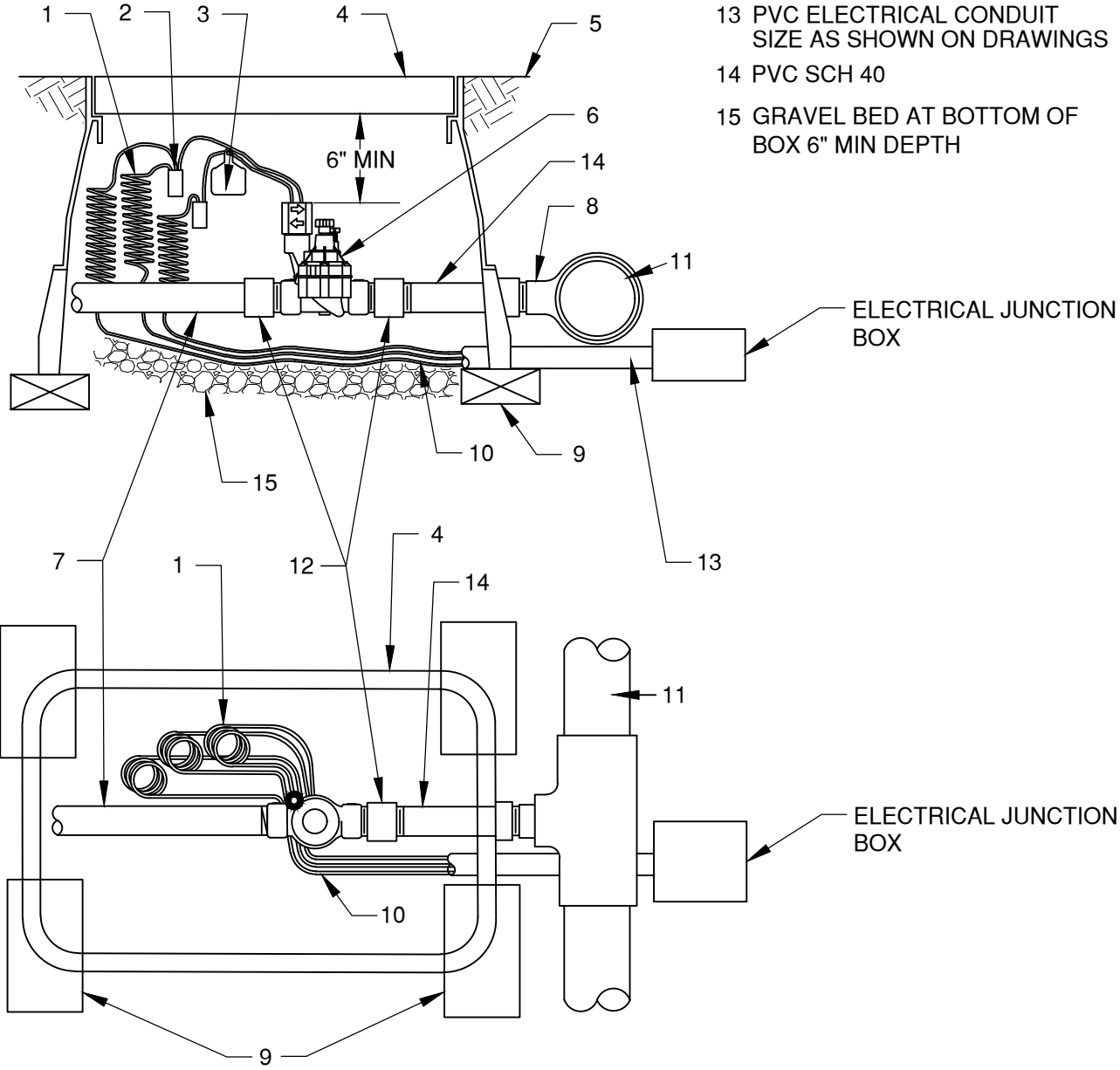
SCALE NTS

DATE 12/1/17

APPR

STD DWG L-5

- 1 30" LINEAR LENGTH OF WIRE, COILED
- 2 WATER PROOF CONNECTION (1 OF 2)
- 3 ID TAG
- 4 VALVE BOX WITH COVER: AMETEK STANDARD OR EQUAL
- 5 FINISH GRADE/TOP OF MULCH ALLOW 2" DEPTH MIN FOR BARK IF LOCATED IN SHRUB BED
- 6 REMOTE CONTROL VALVE: AS SPECIFIED ON DRAWING
- 7 PVC SCHEDULE 40 PIPE
- 8 PVC SADDLE FEMALE THREAD
- 9 TREATED WOOD OR BRICK SUPPORT (LENGTH AS REQ'D.)
- 10 CONTROL WIRING 24 VAC
- 11 PVC MAINLINE PIPE
- 12 SCH 80 MALE ADAPTER
- 13 PVC ELECTRICAL CONDUIT SIZE AS SHOWN ON DRAWINGS
- 14 PVC SCH 40
- 15 GRAVEL BED AT BOTTOM OF BOX 6" MIN DEPTH



DRAWN LJC	
DIV LNDSCP	
REV	DATE
1	12/10/21



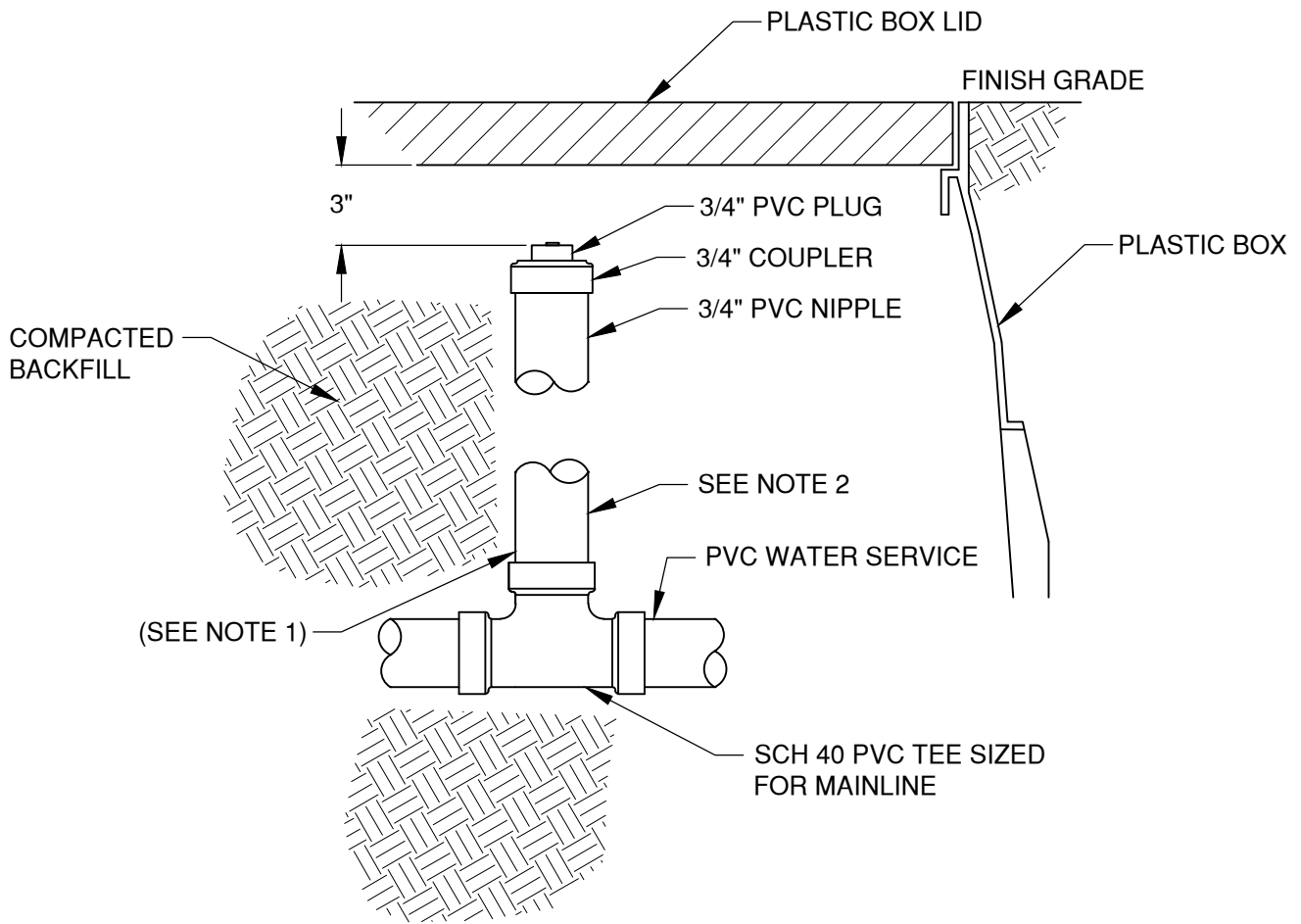
CITY OF BEND

CITY OF BEND  
STANDARD DRAWING

710 NW WALL ST., BEND, OREGON 97701

IRRIGATION REMOTE CONTROL VALVE

SCALE NTS
DATE 12/1/17
APPR
STD DWG L-6



**NOTES:**

1. PROVIDE PVC BUSHINGS AS REQUIRED TO REDUCE SIZE FROM TEE.
2. QUICK COUPLER ASSEMBLY REQUIRED, SEE STD DWG L-9.
3. PROVIDE ALL THREADED PVC CONNECTIONS WITH A NON-HARDENING JOINT COMPOUND, COMPATIBLE WITH MANUFACTURERS RECOMMENDATION.

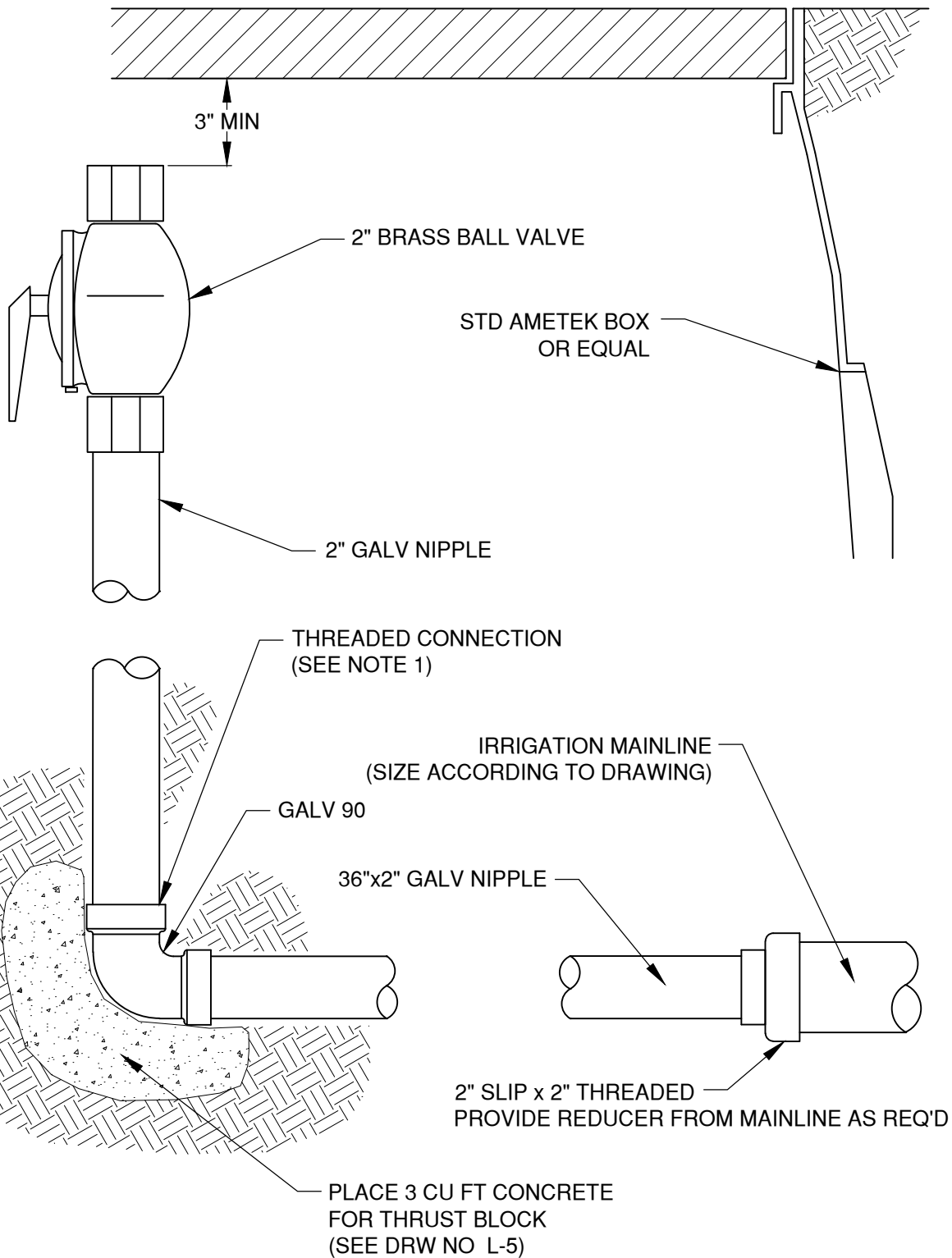
DRAWN LJC	
DIV LNDSCP	
REV	DATE
1	12/10/21



**CITY OF BEND**  
 STANDARD DRAWING  
 710 NW WALL ST., BEND, OREGON 97701  
**IRRIGATION BLOW OUT**

SCALE NTS
DATE 12/1/17
APPR
STD DWG L-7





**NOTES:**

1. PROVIDE ALL THREADED CONNECTIONS WITH A NON-HARDENING, JOINT COMPOUND, COMPATIBLE WITH MANUFACTURERS RECOMMENDATION

DRAWN LJC	
DIV LNDSCP	
REV	DATE



**CITY OF BEND**

**CITY OF BEND**

STANDARD DRAWING

710 NW WALL ST., BEND, OREGON 97701

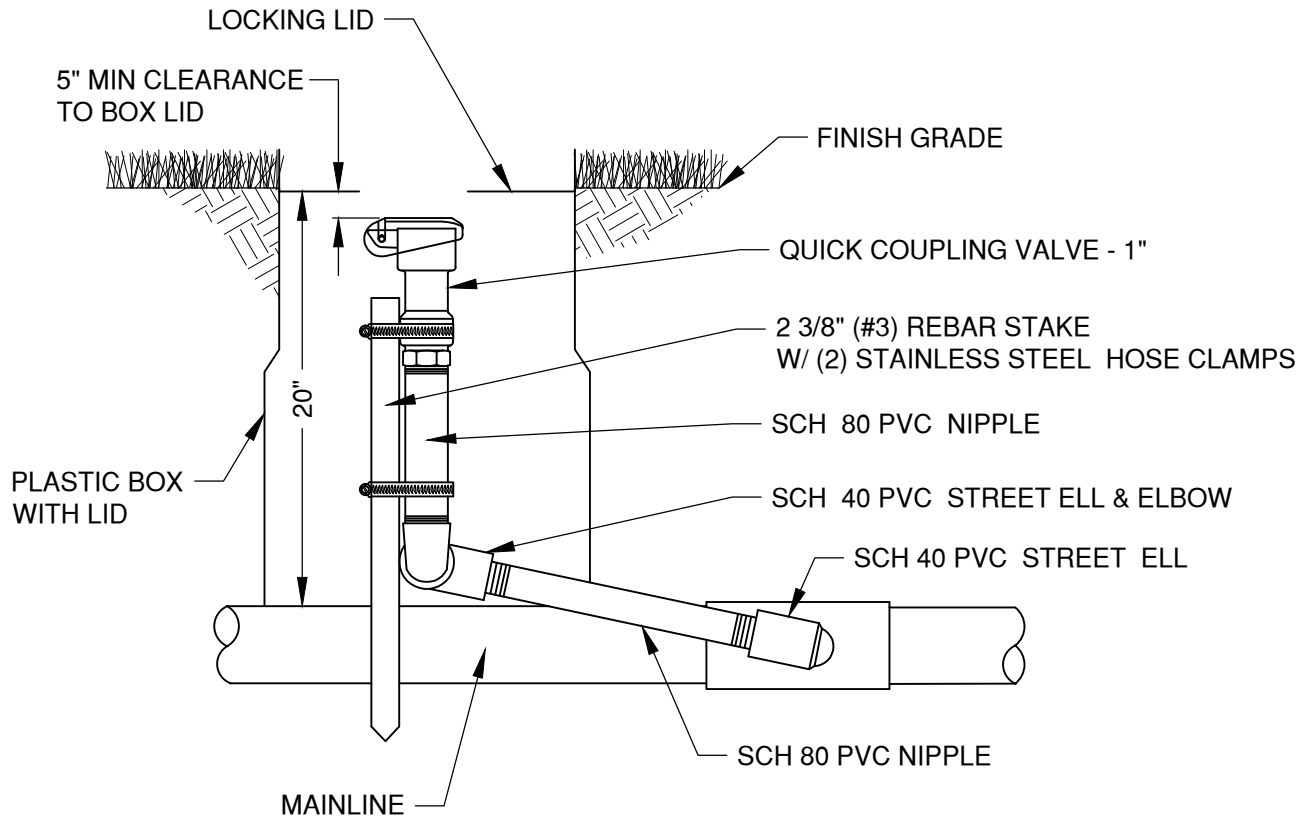
**TERMINATION POINT**

SCALE NTS

DATE 12/1/17

APPR

STD DWG L-8



DRAWN LJC  
 DIV LNDSCP  
 REV DATE



CITY OF BEND

CITY OF BEND

STANDARD DRAWING

710 NW WALL ST., BEND, OREGON 97701

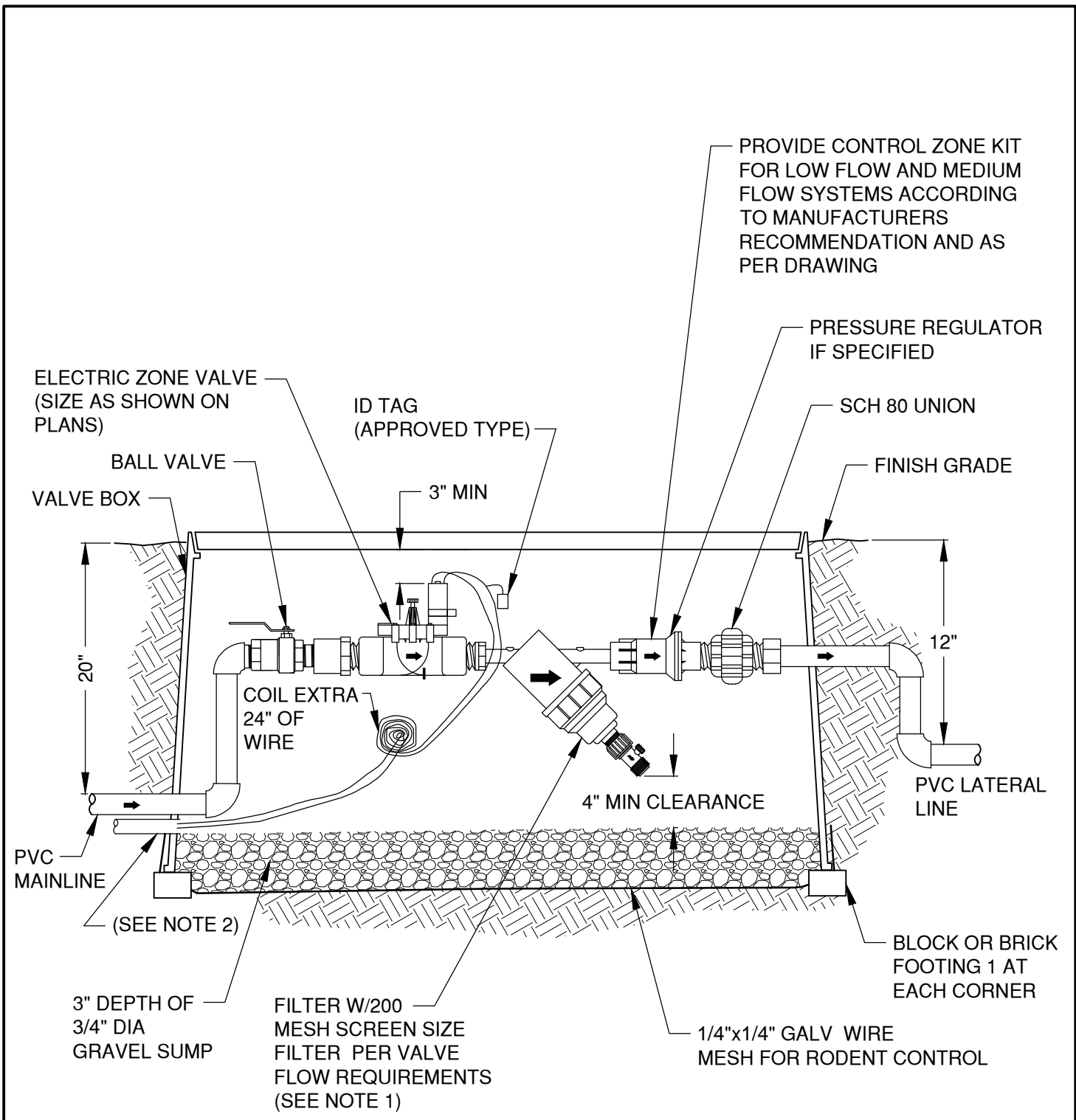
QUICK COUPLING VALVE

SCALE NTS

DATE 12/1/17

APPR

STD DWG L-9



NOTES:

1. PROVIDE ADEQUATE SPACE FOR SERVICING THE SYSTEM
2. ALL ELECTRICAL WIRE TO BE INSTALLED IN APPROVED CONDUIT

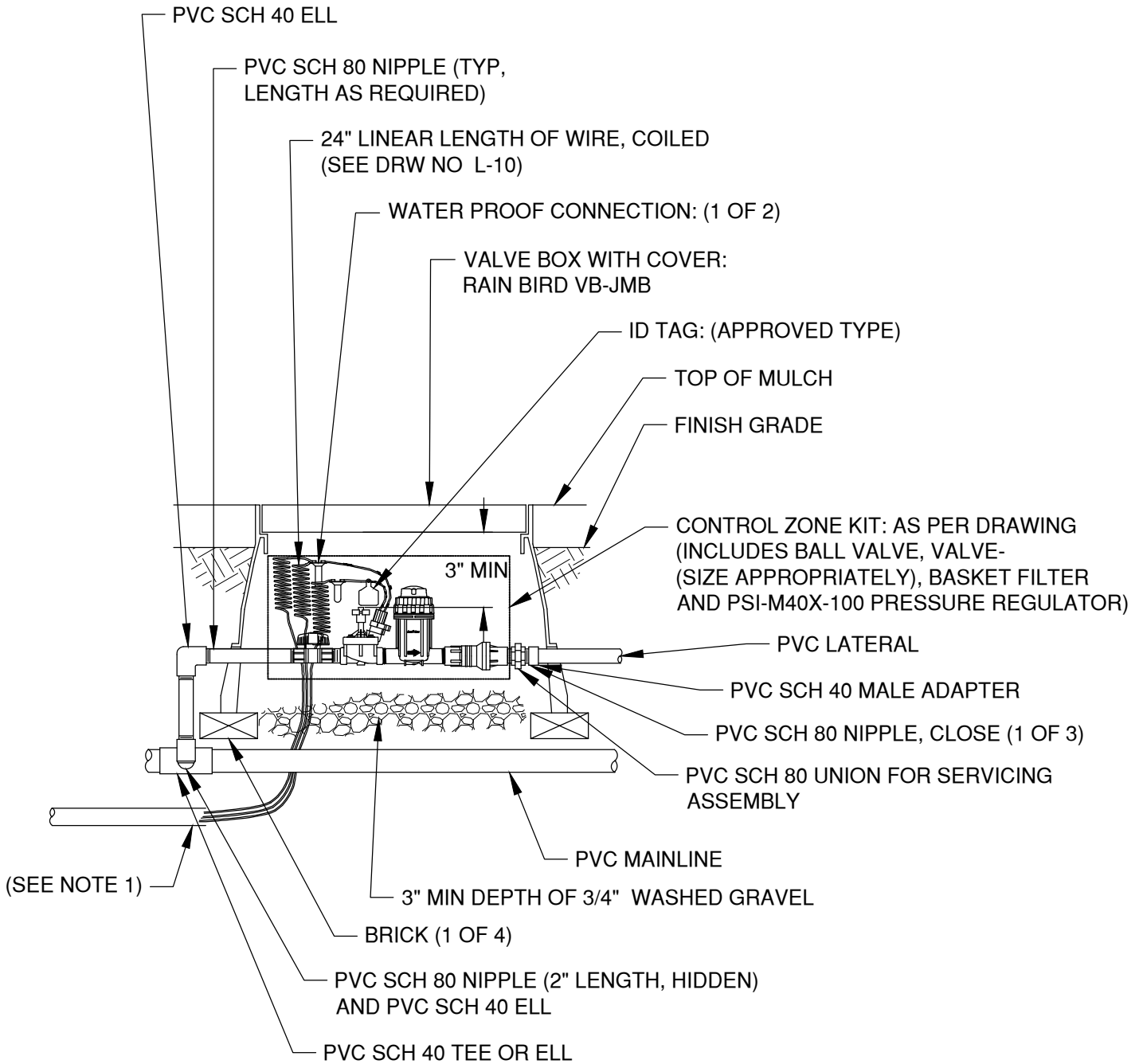
DRAWN LJC	
DIV LNDSCP	
REV	DATE



**CITY OF BEND**  
 STANDARD DRAWING  
 710 NW WALL ST., BEND, OREGON 97701

**DRIP CONTROL VALVE, FILTER, AND REGULATOR**

SCALE NTS
DATE 12/1/17
APPR
STD DWG L-10



NOTES:

1. ALL ELECTRICAL WIRE TO BE INSTALLED IN APPROVED CONDUIT

DRAWN LJC	
DIV LNDSCP	
REV	DATE



CITY OF BEND

CITY OF BEND  
STANDARD DRAWING

710 NW WALL ST., BEND, OREGON 97701

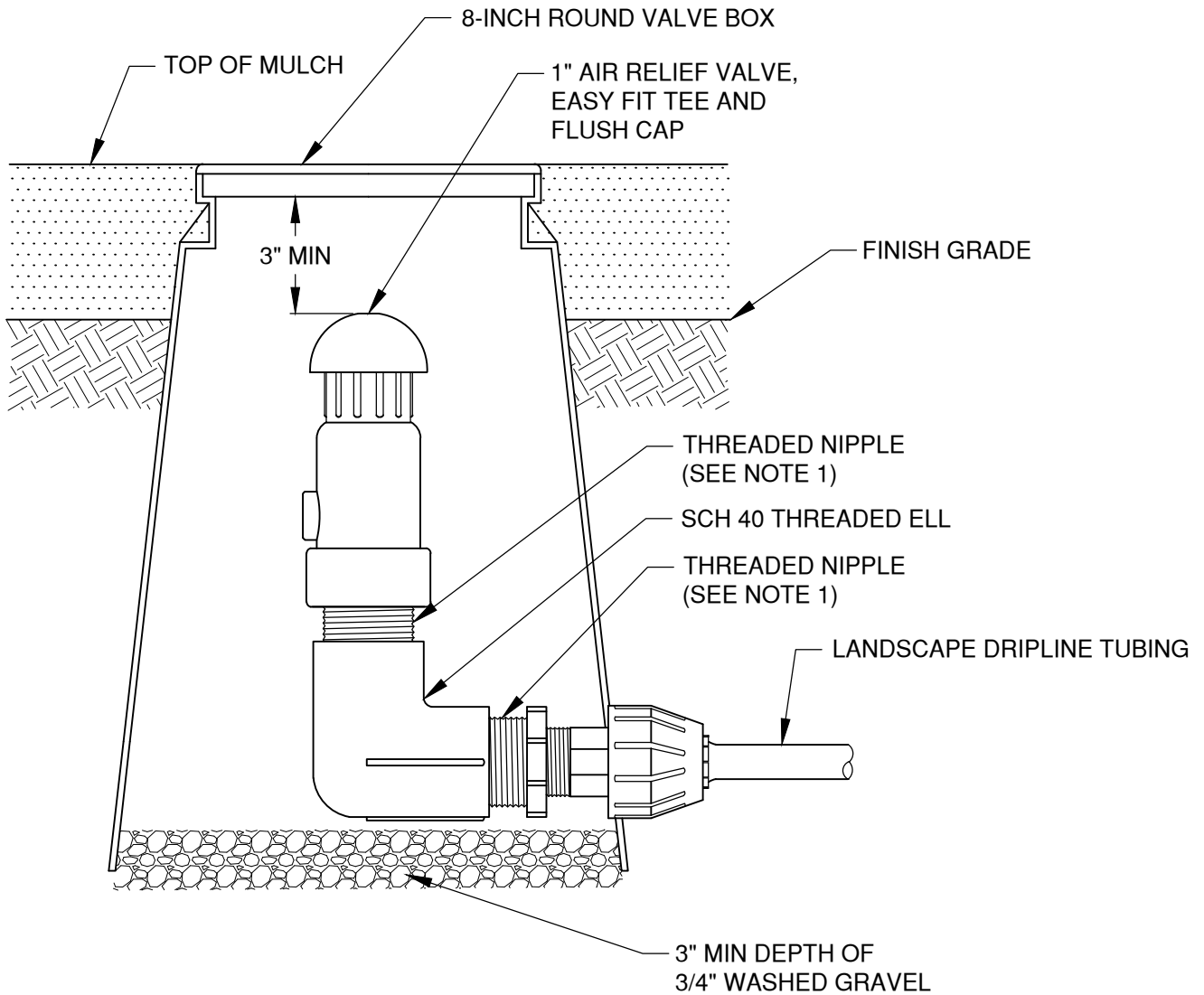
1" COMM. CONTROL ZONE KIT WITH BASKET FILTER

SCALE NTS

DATE 12/1/17

APPR

STD DWG L-12



NOTES:

1. PROVIDE ALL THREADED CONNECTIONS WITH A NON-HARDENING, JOINT COMPOUND, COMPATIBLE WITH MANUFACTURERS RECOMMENDATIONS

DRAWN LJC	
DIV LNDSCP	
REV	DATE



CITY OF BEND

CITY OF BEND

STANDARD DRAWING

710 NW WALL ST., BEND, OREGON 97701

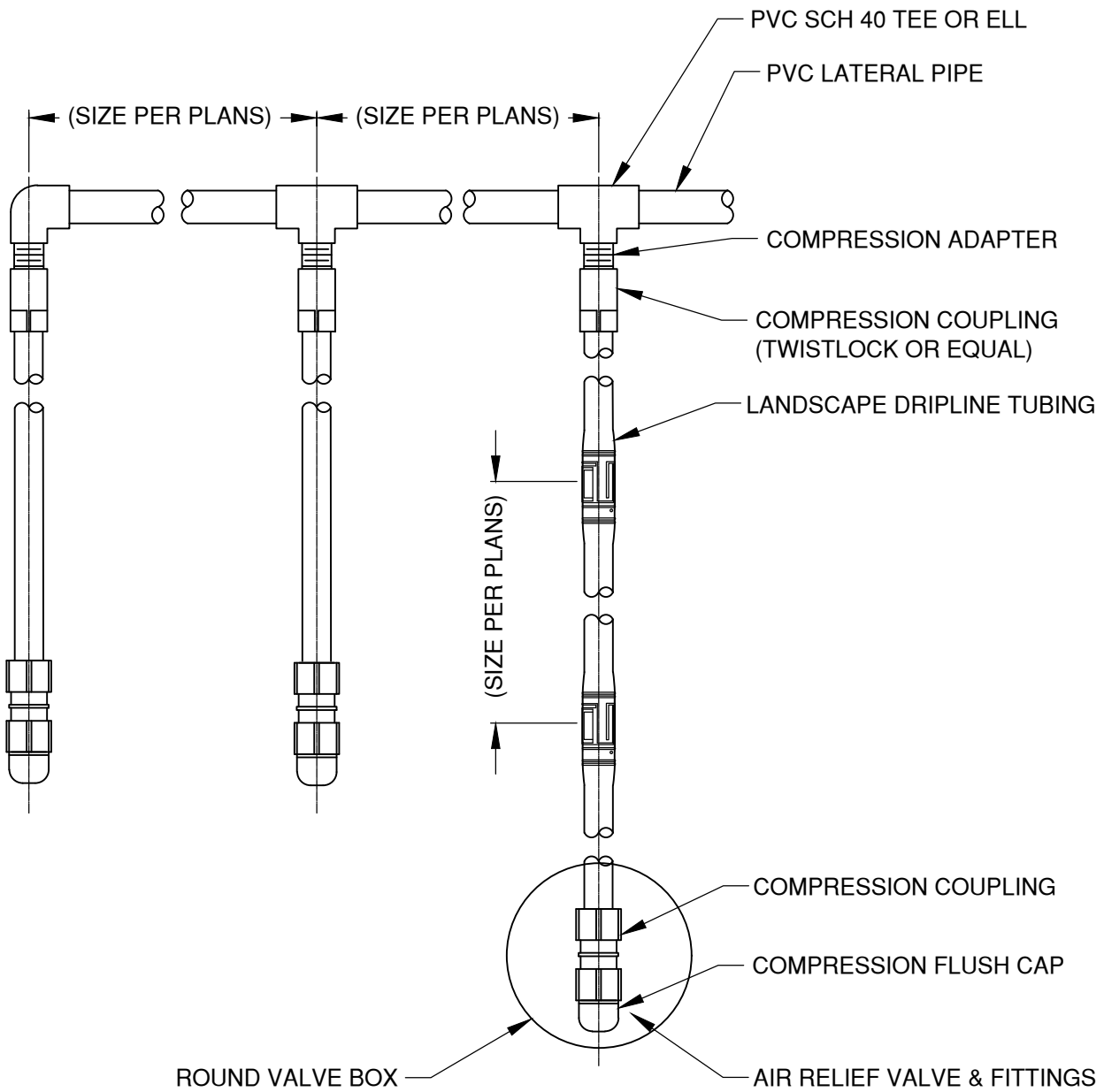
AIR RELIEF VALVE IN KIT - AR VALVE KIT

SCALE NTS

DATE 12/1/17

APPR

STD DWG L-13



NOTES:

1. LATERAL AND EMITTER SPACING DEPENDS ON SOIL TYPE, AND PLANT SPECIES.
2. SEE OSS - DET 6110 - PLANTING OR TURF BED DRIP LAYOUT FOR OVERALL SPECIFICATION

DRAWN LJC	
DIV LNDSCP	
REV	DATE
1	12/10/21



CITY OF BEND

CITY OF BEND

STANDARD DRAWING

710 NW WALL ST., BEND, OREGON 97701

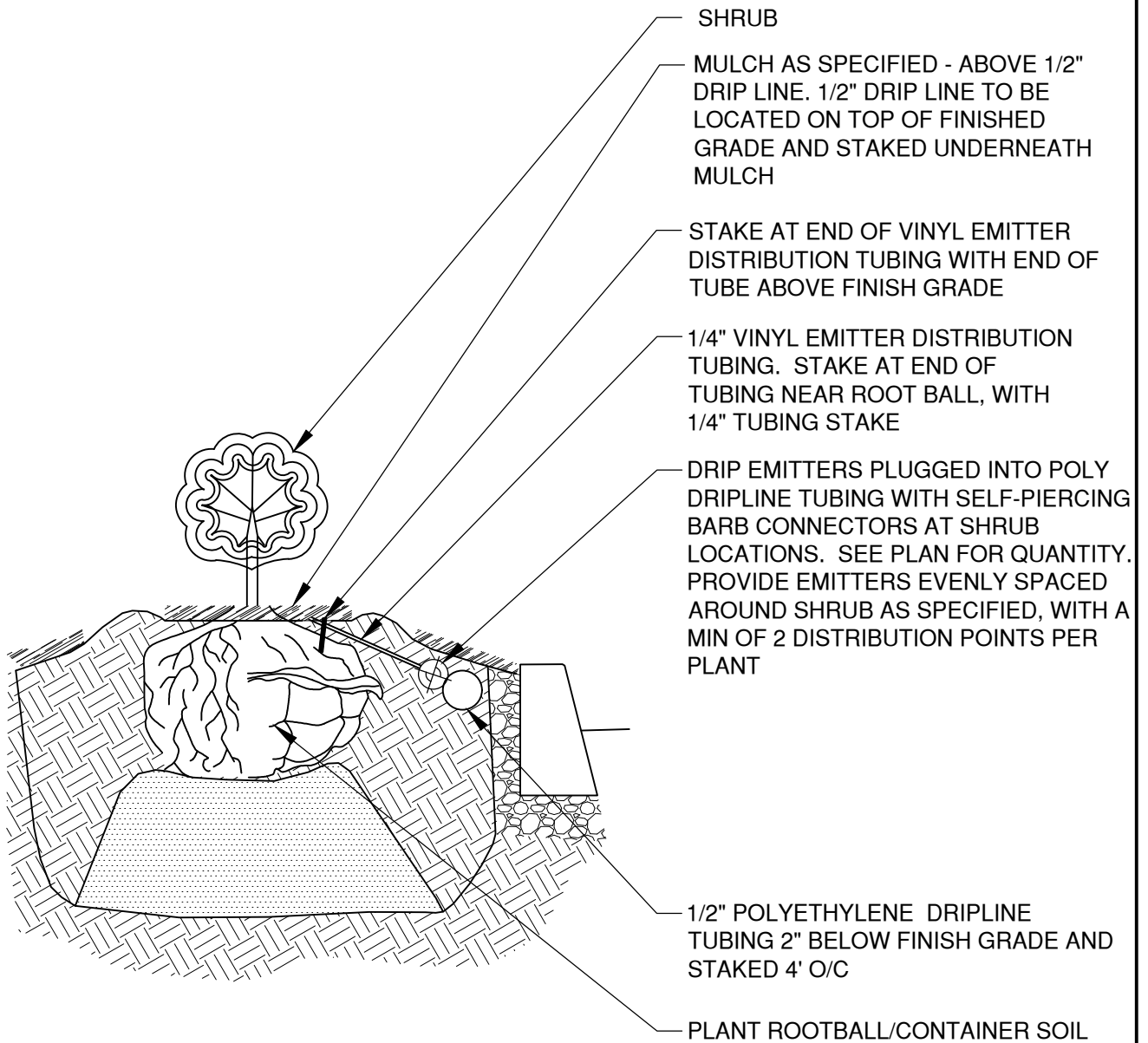
DRIP IRRIGATION MAINLINE LAYOUT

SCALE NTS

DATE 12/1/17


APPR

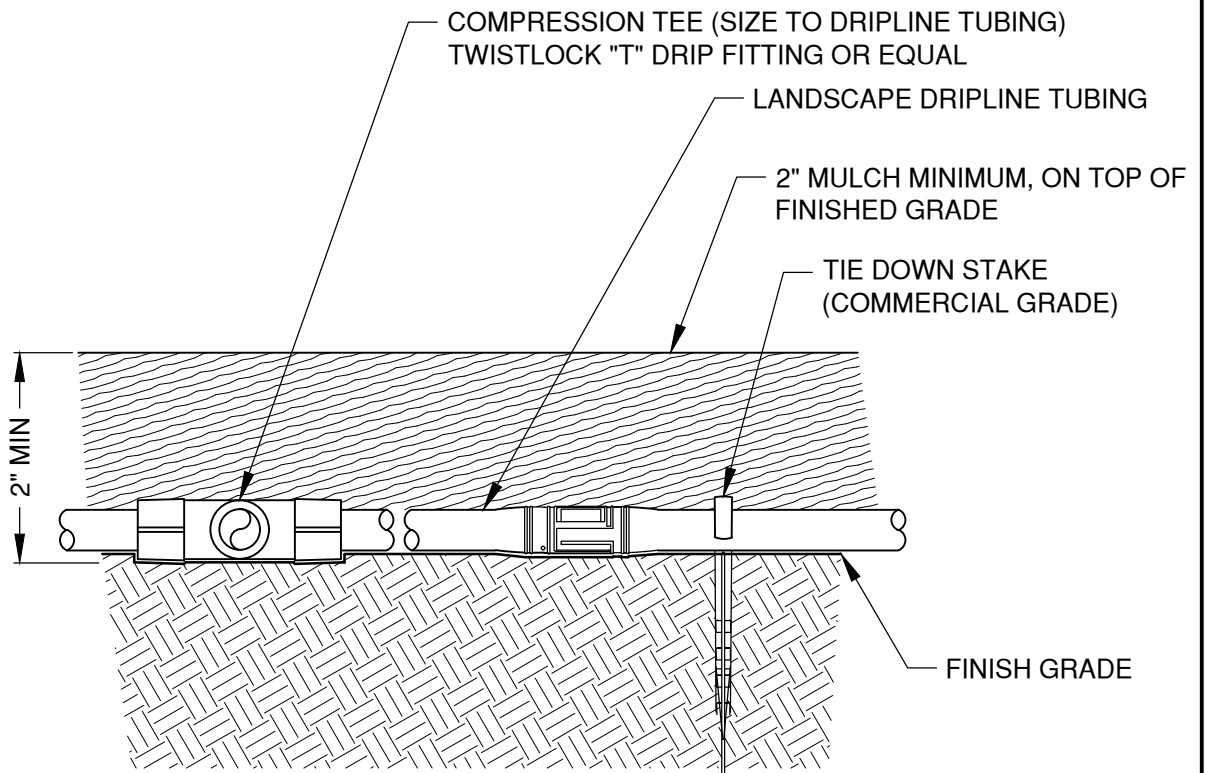
STD DWG L-14



NOTES:

1. USE MANUFACTURERS RECOMMENDED TOOL TO PERFORATE 1/2" POLYETHYLENE TUBING, FOR BARB CONNECTION POINTS OF ENTRY

<table border="1"> <tr> <td colspan="2">DRAWN AJD</td> </tr> <tr> <td colspan="2">DIV LNDSCP</td> </tr> <tr> <td>REV</td> <td>DATE</td> </tr> <tr> <td> </td> <td> </td> </tr> </table>	DRAWN AJD		DIV LNDSCP		REV	DATE			 <b>CITY OF BEND</b>	<p align="center"><b>CITY OF BEND</b></p> <p align="center">STANDARD DRAWING</p> <p align="center">710 NW WALL ST., BEND, OREGON 97701</p>	<p>SCALE NTS</p> <p>DATE 01/31/2022</p> <p>APPR</p> <p>STD DWG L-15</p>
DRAWN AJD											
DIV LNDSCP											
REV	DATE										
<p><b>POINT SOURCE DRIP EMITTER</b></p>											



NOTES:

1. IF PUTTING LANDSCAPE DRIPLINE UNDER SOIL, DO NOT BURY MORE THAN 2" BELOW GRADE AND INCLUDE AIR RELIEF VALVE (SEE DRW NO L-13 "AIR RELIEF VALVE KIT-AR VALVE KIT")

DRAWN AJD	
DIV LNDSCP	
REV	DATE



CITY OF BEND

CITY OF BEND

STANDARD DRAWING

710 NW WALL ST., BEND, OREGON 97701

DRIPLINE 2" BELOW GRADE POTABLE SYSTEM

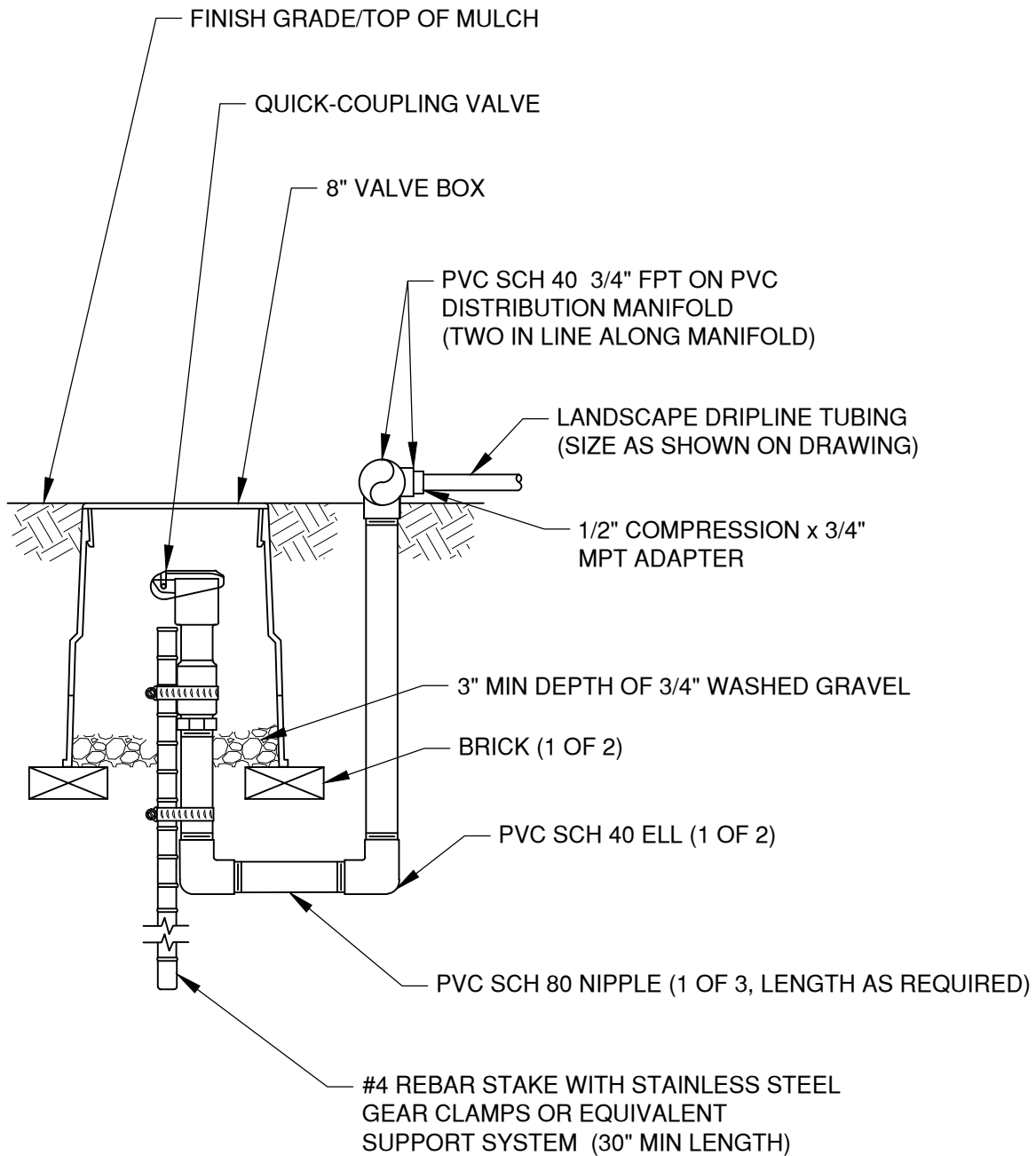
SCALE NTS

DATE 01/31/2022

APPR

STD DWG L-16





NOTES:

1. FURNISH FITTINGS AND PIPING NOMINALLY SIZED IDENTICAL TO NOMINAL QUICK COUPLING VALVE INLET SIZE

DRAWN LJC	
DIV LNDSCP	
REV	DATE



CITY OF BEND

CITY OF BEND

STANDARD DRAWING

710 NW WALL ST., BEND, OREGON 97701

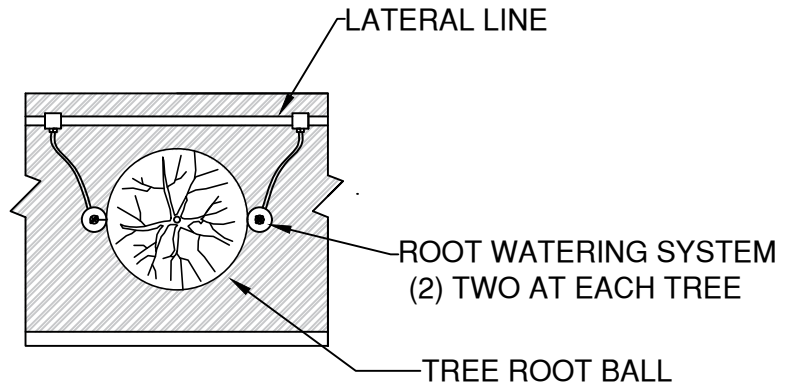
SCALE NTS

DATE 12/1/17

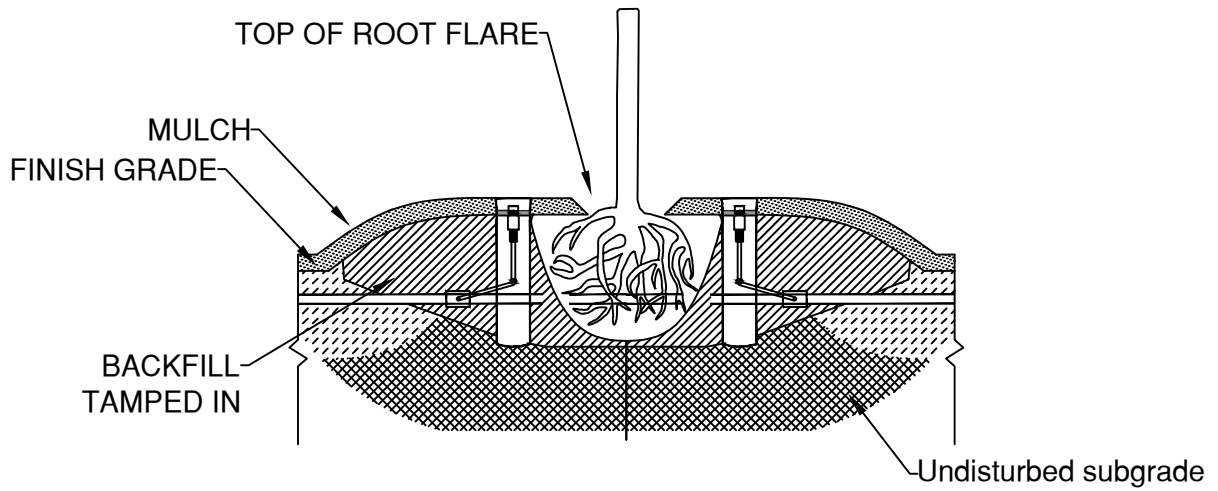
APPR

STD DWG L-17

LANDSCAPE DRIPLINE FLUSH POINT POTABLE SYSTEM



PLAN



SECTION

NOTES:

1. POSITION UNITS SPACE AROUND ROOT BALL OF TREE
2. INSTALL UNITS SO TOP OF RWS (RAIN BIRD RWS-BCG) IS EVEN WITH GROUND SURFACE. LIMIT RWS TO NO DEEPER THAN BOTTOM OF ROOT BALL

DRAWN AJD	
DIV LNDSCP	
REV	DATE



CITY OF BEND

CITY OF BEND

STANDARD DRAWING

710 NW WALL ST., BEND, OREGON 97701

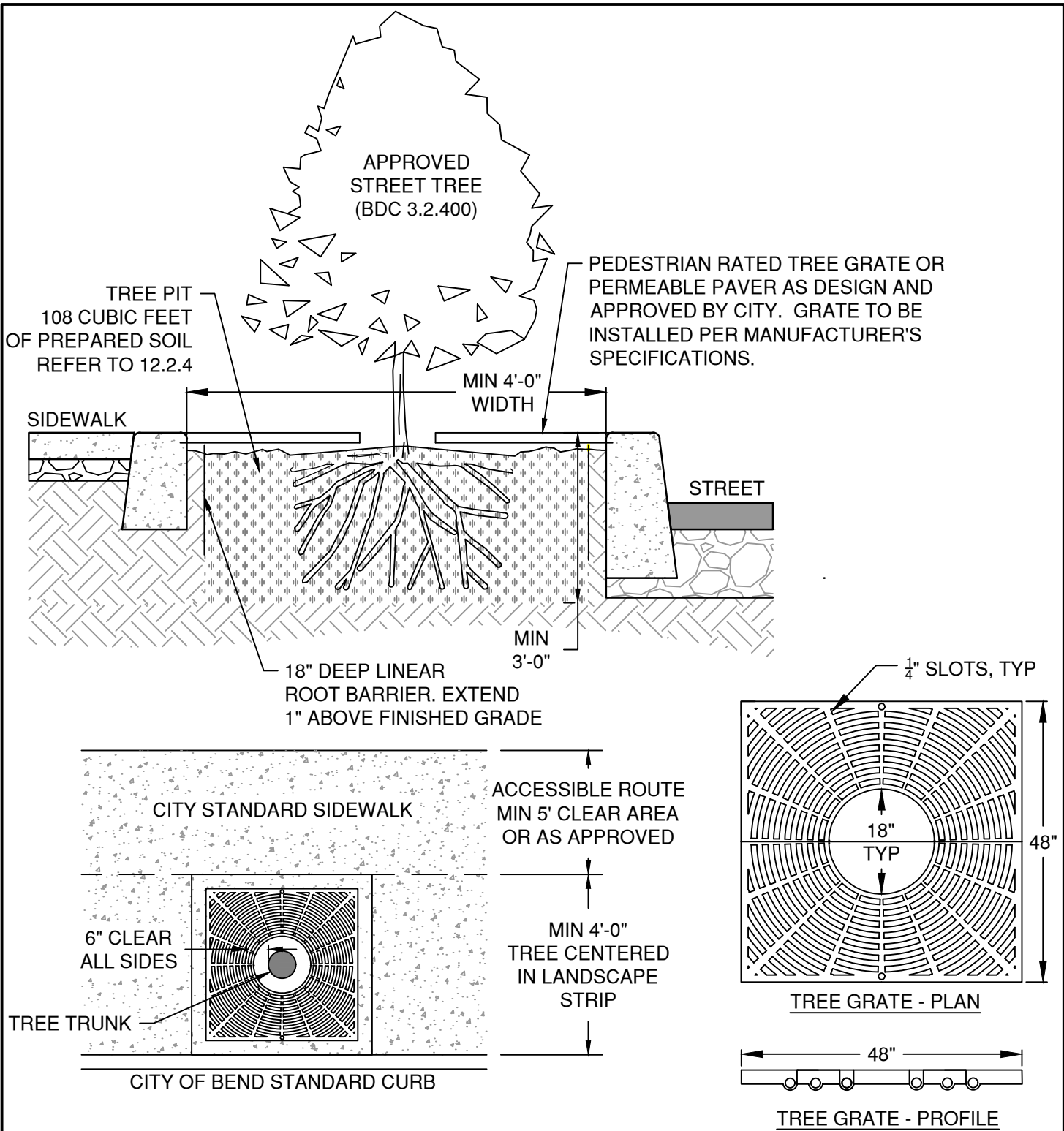
TREE ROOT WATERING SYSTEM DETAIL

SCALE NTS

DATE 01/31/2022

APPR

STD DWG L-18



NOTES:

1. MINIMUM TREE WELL DIMENSIONS DICTATED BY BEND DEVELOPMENT CODE 12.2.4.1.
2. VEGETATION WITHIN THE TREE WELL SHALL HAVE DRIP SYSTEM IRRIGATION INSTALLED PER L-18.
3. TREE GRATE SHALL BE EJ 8954 PLAZA SET, OR APPROVED EQUAL.

DRAWN AJD	
DIV LNDSCP	
REV	DATE



CITY OF BEND

CITY OF BEND  
STANDARD DRAWING

710 NW WALL ST., BEND, OREGON 97701

TREE WELL DETAIL

SCALE NTS
DATE 01/31/2022
APPR
STD DWG L-19