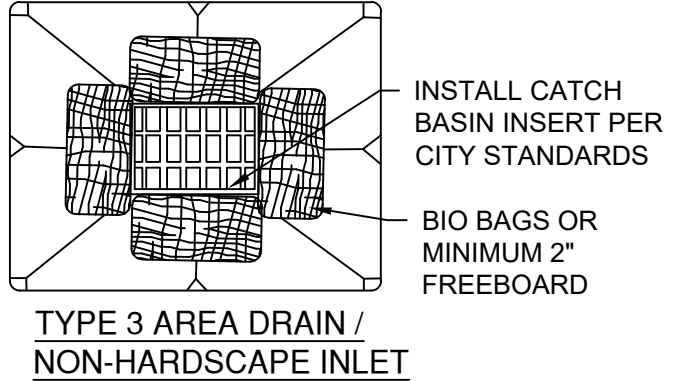
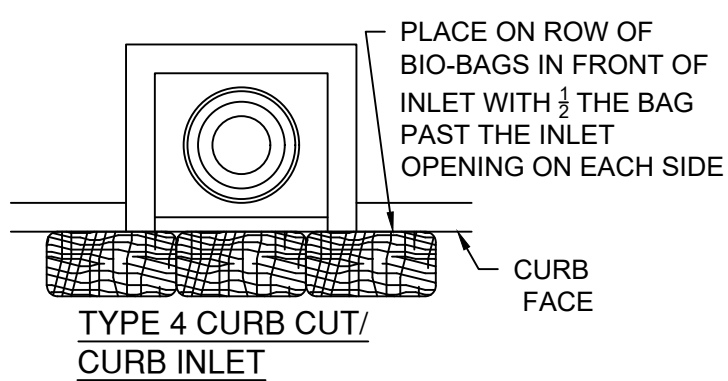
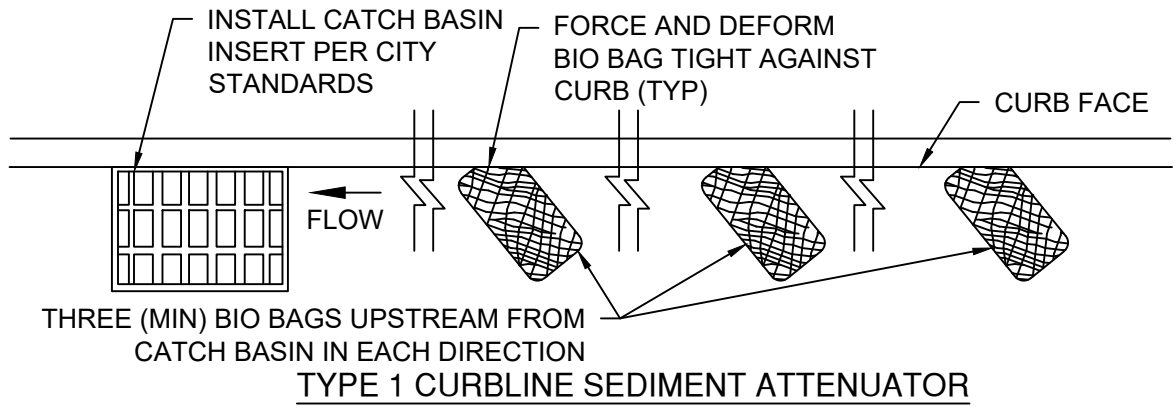


DITCH INLET



NOTES:

1. BIO-BAGS SHOULD BE STAKED WHERE APPLICABLE USING (2) 1"x2"x24" WOOD STAKES OR APPROVED EQUAL. LONGER STAKES WILL BE REQUIRED THERE IS HIGH RUNOFF OR LARGE SEDIMENT LOADS ANTICIPATED TO MAINTAIN BIO-BAGS IN POSITION.
2. TYPE 1 CURBLIN SEDIMENT ATTENUATOR SHALL BE INSTALLED AS REQUIRED.
3. BIO BAGS MAY BE REPLACED WITH A 2" MINIMUM FREEBOARD BETWEEN DISTURBED GROUND AND INLET GRATE.
4. SEDIMENT BARRIERS SHALL BE MAINTAINED UNTIL UPHILL AREA IS PERMANENTLY STABILIZED.
5. BIO-BAGS ARE NEVER TO BE PLACED IN COLLECTOR OR ARTERIAL STREETS UNLESS OTHERWISE APPROVED BY THE CITY.
6. INSPECTION & MAINTENANCE:
 - 6.1. INSPECT WEEKLY AND DAILY DURING STORM EVENTS.
 - 6.2. CLEAN, OR REPLACE, BIO-BAGS WHEN DEBRIS HAS REACH A HEIGHT OF 2 INCHES.
 - 6.3. CONTRACTOR IS RESPONSIBLE FOR REMOVING BIO-BAGS AND PROPERLY DISPOSING OF ALL MATERIALS ONCE THE PROJECT HAS BEEN PERMANENTLY STABILIZED.

DRAWN CJH	
DIV EROSION	
REV	DATE



CITY OF BEND

CITY OF BEND
STANDARD DRAWING

710 NW WALL ST., BEND, OREGON 97701

BIO BAG INLET PROTECTION

SCALE NTS
DATE 11/01/2024
APPR
STD DWG E-2C