

NOTES:

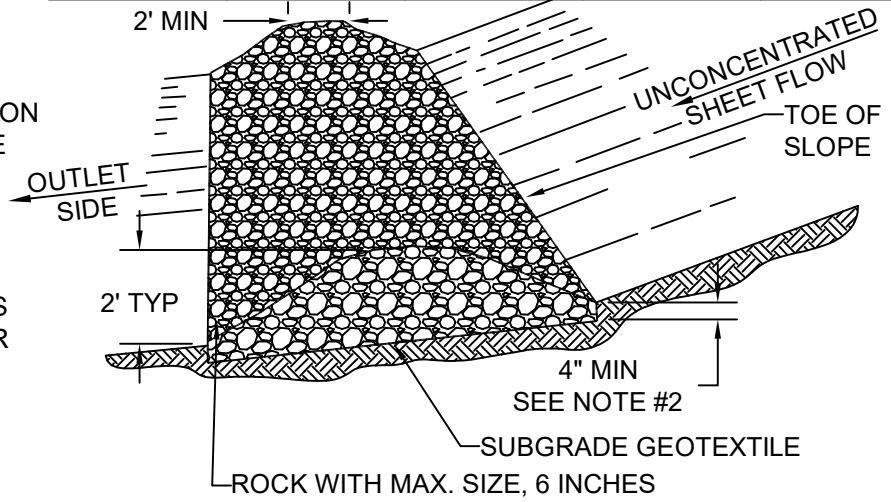
1. DIRECT THE OUTLET SIDE OF THE ROCK/COMPOST FILTER BERMS ONTO A STABILIZED AREA, SUCH AS VEGETATION AND/OR ROCK.
2. EMBED ROCK FILTER BERM A MIN. OF 4" INTO THE EXISTING GROUND/EMBANKMENT.
3. USE ROCK FILTER BERM ON 2H:1V OR FLATTER SIDE SLOPES.
4. PLACE FILTER BERMS ALONG OR ON THE GROUND CONTOUR WITH THE ENDS TURNED UP SLOPE.
5. PRIOR TO INSTALLING A FILTER BERM IN A VEGETATED AREA, ENSURE THAT THE VEGETATION IS CUT TO A HEIGHT OF NO GREATER THAN 3" PRIOR TO INSTALLATION.
6. COMPOST HAS NOT BEEN CHEMICALLY TREATED AND IS WEED-FREE, PLASTIC-FREE, DECOMPOSED, NON-WOODY PLANT MATERIAL; ANIMAL WASTE IS NOT ALLOWED.
7. WHERE POSSIBLE, BERMS SHOULD BE PLACED AWAY FROM THE TOE OF THE SLOPE A MINIMUM OF 5 FEET TO ALLOW FOR ENERGY DISSIPATION AND STORAGE.

INSPECT & MAINTENANCE:

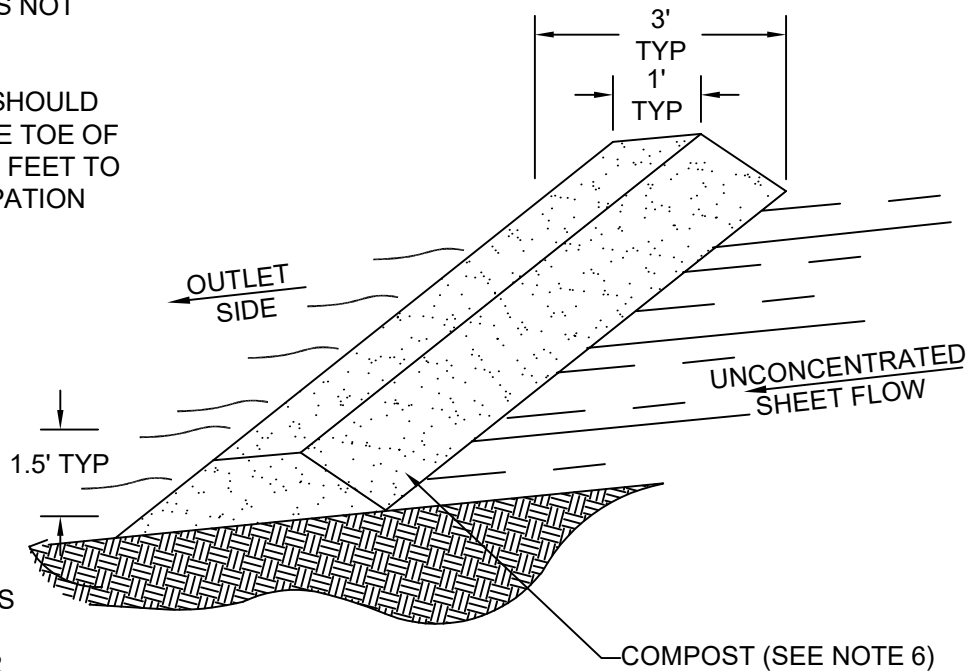
1. INSPECT WEEKLY AND DAILY DURING STORM EVENTS.
2. REMOVE SEDIMENT WHEN ACCUMULATION IS AT 1/3 THE CAPACITY.
3. REPAIR ANY BREAKS OR EROSION OCCURRING IN THE BERM.

FILTER BERM DIMENSIONS AND SPACING BASED ON SLOPE

SLOPE	BERM SPACING	BERM DIMENSIONS		
		HEIGHT	BOTTOM WIDTH	TOP WIDTH
>50:1	250 Ft	1 Ft	2 Ft (MIN)	1 Ft
50:1 - 10:1	125 Ft	1 Ft	2 Ft (MIN)	1 Ft
10:1 - 5:1	100 Ft	1 Ft	2 Ft (MIN)	1 Ft
3:1 - 2:1	50 Ft	1.30 Ft	2.6 Ft (MIN)	1 Ft
>2:1		1.50 Ft	3 Ft (MIN)	1 Ft



ROCK FILTER BERM



COMPOST FILTER BERM

DRAWN CJH
DIV EROSION
REV DATE



CITY OF BEND

CITY OF BEND

STANDARD DRAWING

710 NW WALL ST., BEND, OREGON 97701

FILTER BERMS

SCALE NTS

DATE 11/01/2024

APPR

STD DWG E-12