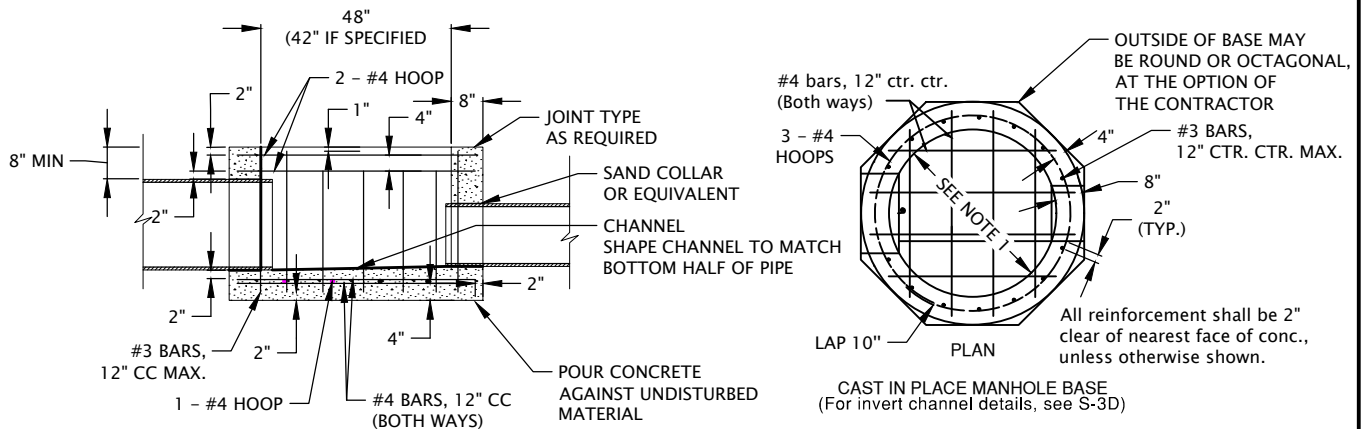


**STANDARD MANHOLE WITH PRECAST BASE**



**CAST IN PLACE MANHOLE BASE**

GENERAL NOTES:

1. MANHOLE DIAMETER PER CITY OF BEND DESIGN STANDARDS.
2. THE MAXIMUM INTERNAL DROP IS 1' FOR PIPES 8" IN DIAMETER OR LESS AND 2' FOR PIPES GREATER THAN 8" IN DIAMETER. SEE DWGS S-4 AND S-4A FOR LARGER DROPS.
3. ALL GROUT USED ON MANHOLES SHALL BE NON-SHRINK CONFORMING 02440.50.
4. A SINGLE RISER RING IS ALLOWED ON INITIAL INSTALLATION.

DRAWN	AJD
DIV	SANITARY
REV	DATE



CITY OF BEND

CITY OF BEND

STANDARD DRAWING

710 NW WALL ST., BEND, OREGON 97701

STANDARD SEWER/STORM MANHOLE

SCALE NTS

DATE 11/01/2024

APPR

STD DWG S-3C