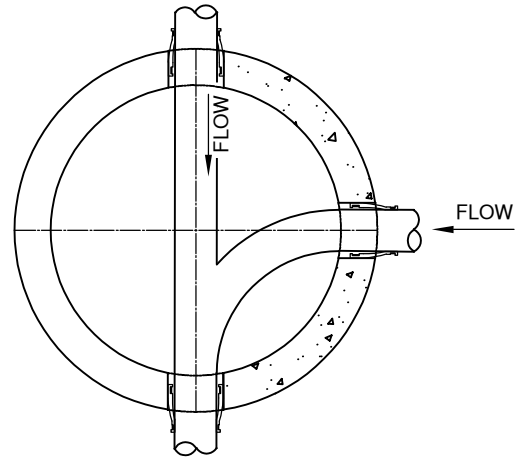
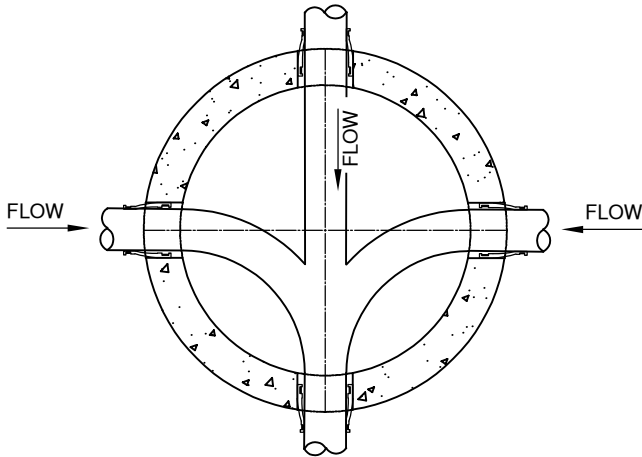


RESILIENT CONNECTOR WITH GROUT FOR PRECAST BASE. SAND COLLAR OR EQUIVALENT IN POURED IN PLACE BASE.



GENERAL NOTES:

1. FLOW CHANNELS DEVIATING FROM THE STANDARD CHANNELS REQUIRE A DETAIL FOR APPROVAL FROM THE ENGINEER
2. WIDTH OF CHANNEL SHOULD MATCH THE INSIDE DIAMETER OF INCOMING AND OUTGOING PIPES.
3. CHANNEL LINING SHALL BE BLENDED FOR SMOOTH CONTOUR BETWEEN PIPES.
4. GROUT CHANNEL TO SMOOTH FINISH.
5. FINISH BOTTOM TO EVEN SLOPE BROOM FINISH TO DRAIN TO CHANNEL.
6. LOCATE MANHOLE OPENING OPPOSITE OUTLET UNLESS OTHERWISE DIRECTED.
7. ALL GROUT USED ON MANHOLES SHALL BE NON-SHRINK CONFORMING 02440.50.

DRAWN AJD	
DIV SANITARY	
REV	DATE



CITY OF BEND

CITY OF BEND

STANDARD DRAWING

710 NW WALL ST., BEND, OREGON 97701

TYPICAL MANHOLE INVERT LAYOUT

SCALE NTS

DATE 11/01/2024

APPR

STD DWG S-3D