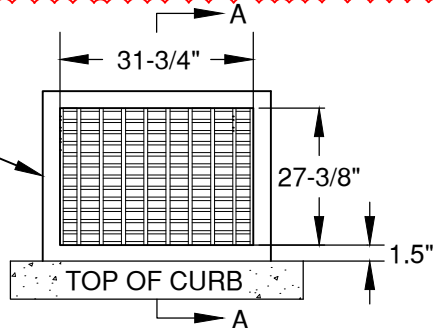
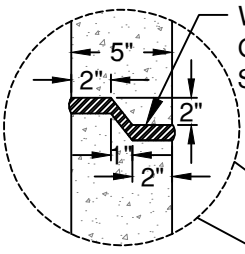


DETAIL SHOWING
GRATE ORIENTATION
TO CURB LINE. SEE
STD DWG STRM-13A
FOR GRATE DETAIL

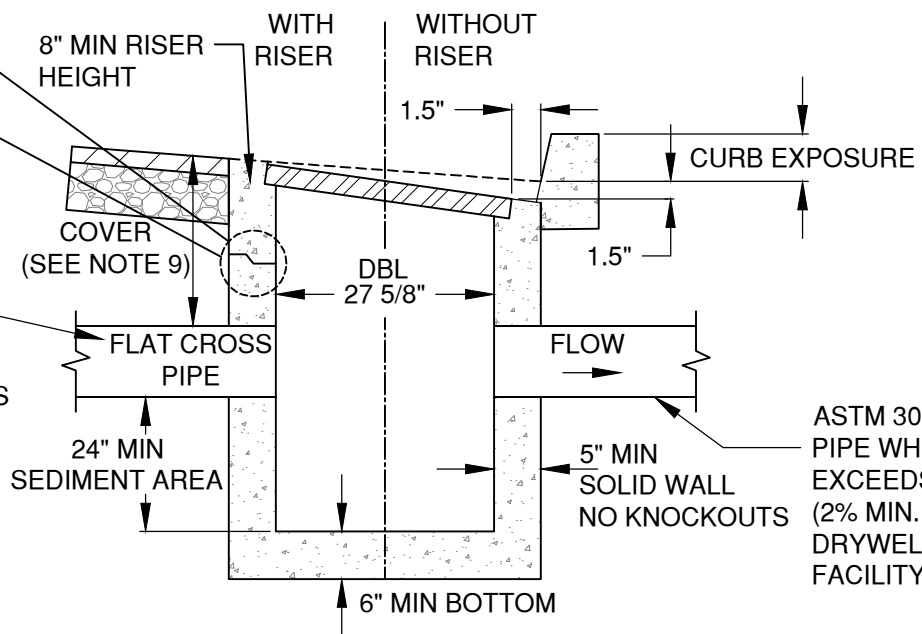


PLAN VIEW



WET SET RISER INTO
GROUT PER SPEC
SECTION 00470.42

KEYWALL DETAIL



SECTION A-A

STORM SEWER
(WHERE REQ'D)
8" ID MIN AWWA C-900
FLAT ON CROSS-PIPES
(SEE NOTE 3)

ASTM 3034 PVC SEWER
PIPE WHEN COVER
EXCEEDS 36"
(2% MIN. SLOPE) TO
DRYWELL OR DISPOSAL
FACILITY.

NOTES:

1. UNLESS OTHERWISE SPECIFIED, ALL CATCH BASINS TO BE DOUBLE CATCH BASIN
2. BACKFILL TO BE COMPACTED TO 95% OF OPTIMUM PER SPECIFICATION SECTION 00330.43
3. CROSS PIPE ELEVATE MAY REQUIRE OTHER UTILITIES (SEWER, WATER, ETC) TO BE LOWERED TO PROVIDE MINIMUM SEPARATIONS.
4. CONTRACTOR IS RESPONSIBLE TO KEEP CATCH BASIN CLEAN AND FREE OF SEDIMENT DURING CONSTRUCTION
5. CONTRACTOR IS RESPONSIBLE TO COVER AND BARRICADE ALL CATCH BASINS UNTIL GRATE IS INSTALLED
6. STANDARD CATCH BASINS ARE LIMITED TO LOCAL STREETS AND SHALL NOT BE USED ON ARTERIAL & COLLECTOR ROADWAYS. CURB INLETS ARE TO BE USED ON ARTERIAL & COLLECTOR ROADWAYS.
7. SEE DRG R-11 FOR PAVEMENT RESURFACING.
8. PRE-CAST BASINS SHALL NOT CONTAIN KNOCKOUTS. SAW-CUT OR CORE DRILL ALL PIPE PENETRATIONS AND GROUT PER SPECIFICATION SECTION 00470.40. GROUT SHOULD BE LEVELLED TO ALIGN FLUSH WITH THE INTERIOR WALL WITH NO EXTENSION OF GROUT ONTO THE INTERNAL SURFACE AREA OF THE CATCH BASIN.
9. ON LOCAL ROADS, PIPE COVER IS TO BE 22-INCH FROM FINISHED GRADE TO TOP OF PIPE. ON COLLECTORS AND ARTERIAL STREET SECTIONS (STD DWG R-1), MAINTAIN MIN COVER OF 24-INCHES FROM GUTTER FINISHED GRADE.

DRAWN CJH	
DIV STORM	
REV	DATE

CITY OF BEND
STANDARD DRAWING
710 NW WALL ST., BEND, OREGON 97701

STANDARD CATCH BASIN (PRE-CAST)

SCALE NTS
DATE 11/01/2024
APPR
STD DWG STRM-12B