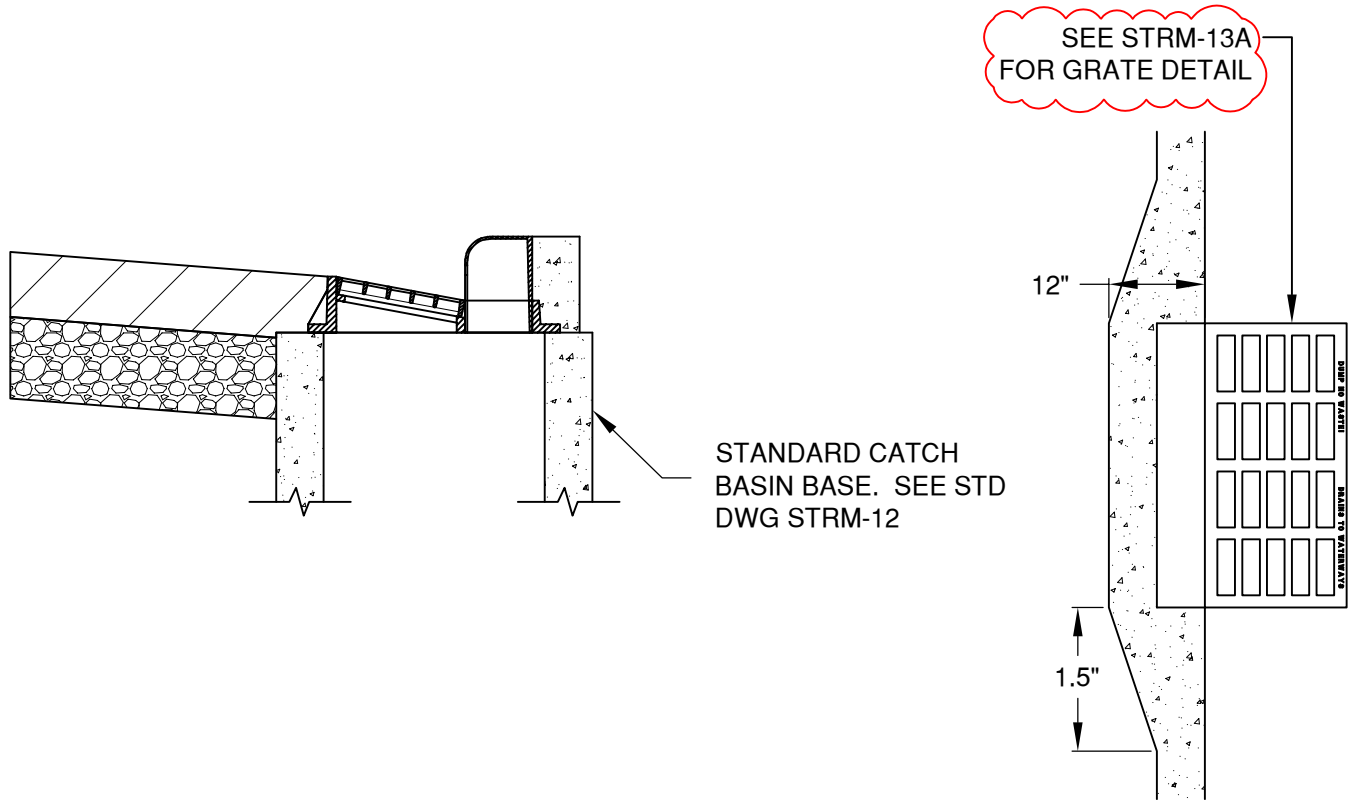


CAST IRON COMBINATION CATCH BASIN INLET



NOTES:

1. SEE NOTES ON STD DWG STRM-12
2. COMBINATION CATCH BASIN INLET TO BE USED ON COLLECTOR AND LOCAL STREETS WHEN THE ROAD GRADE EXCEED 6%

DRAWN AJD	
DIV STORM	
REV	DATE



CITY OF BEND

CITY OF BEND

STANDARD DRAWING

710 NW WALL ST., BEND, OREGON 97701

COMBINATION CATCH BASIN INLET

SCALE NTS

DATE 11/01/2024

APPR

STD DWG STRM-13B