

May 19, 2026

Public Contracts Subcommittee



Agenda

- Roll Call
- Approval of April 10, 2026 minutes
- Proposed Alternative Delivery project



May 19, 2026

Digester 4 and Hauled Waste Project (1SD4H) Proposed Alternative Delivery

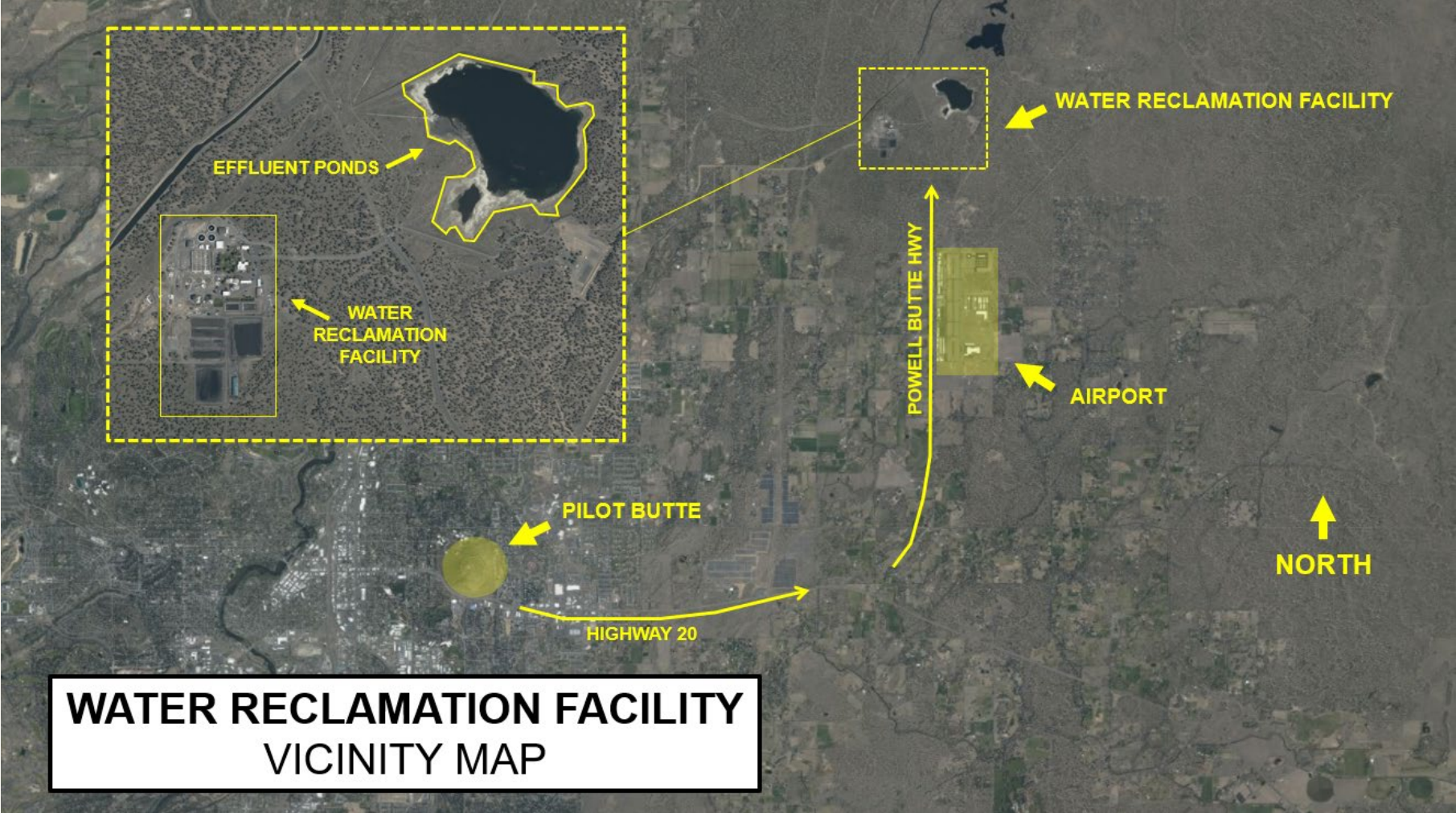
Jason Suhr and Dade Pettinger



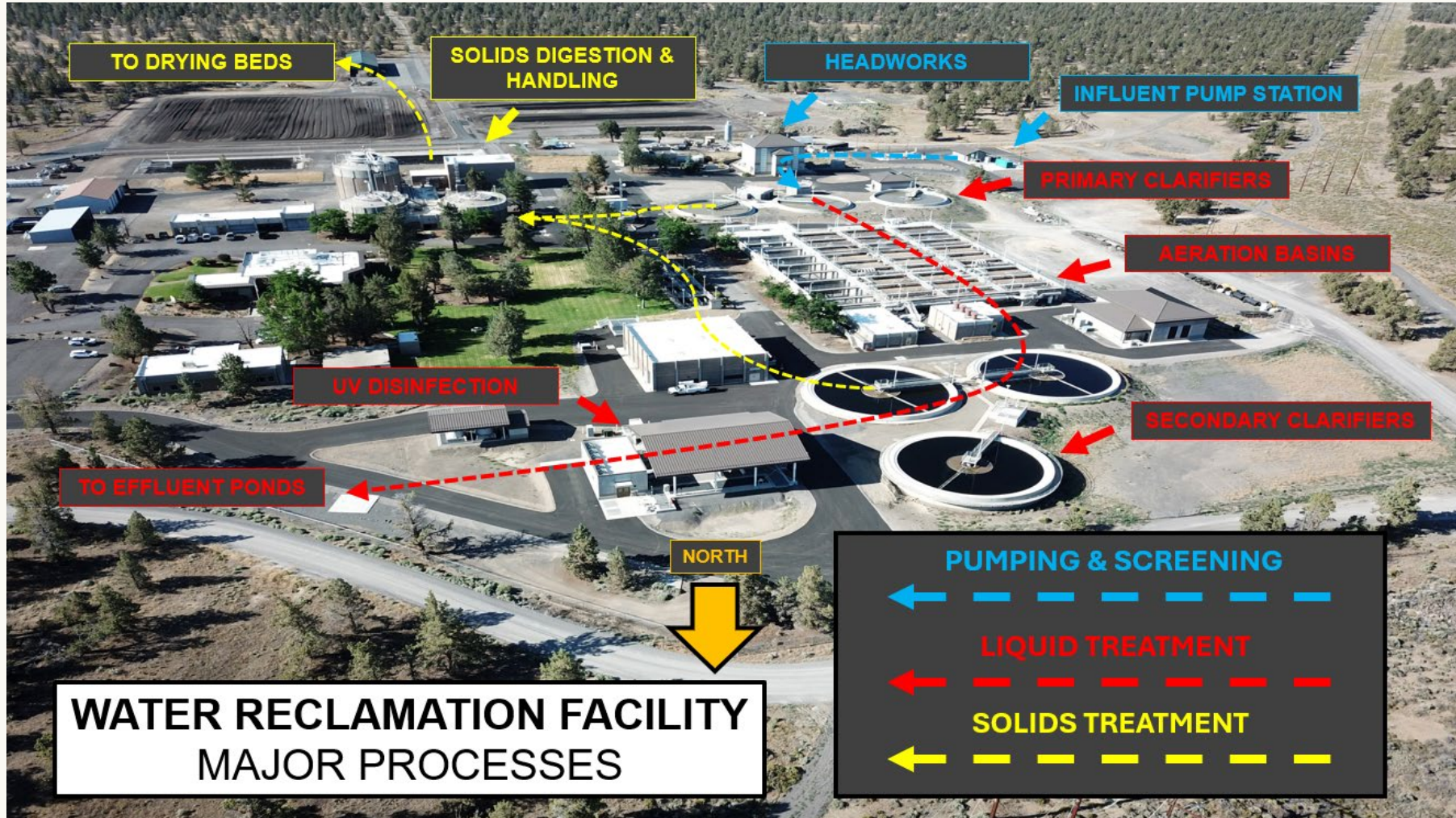
Purpose

- Discuss the proposed exemption from competitive bidding to use a request for proposals procurement process and to deliver the Digester 4 and Hauled Waste Project through the Construction Manager/General Contractor alternative delivery method.

Water Reclamation Facility



Water Reclamation Facility Layout



Process Areas



Anaerobic Digestion



Hauled Waste

Existing Digester Complex

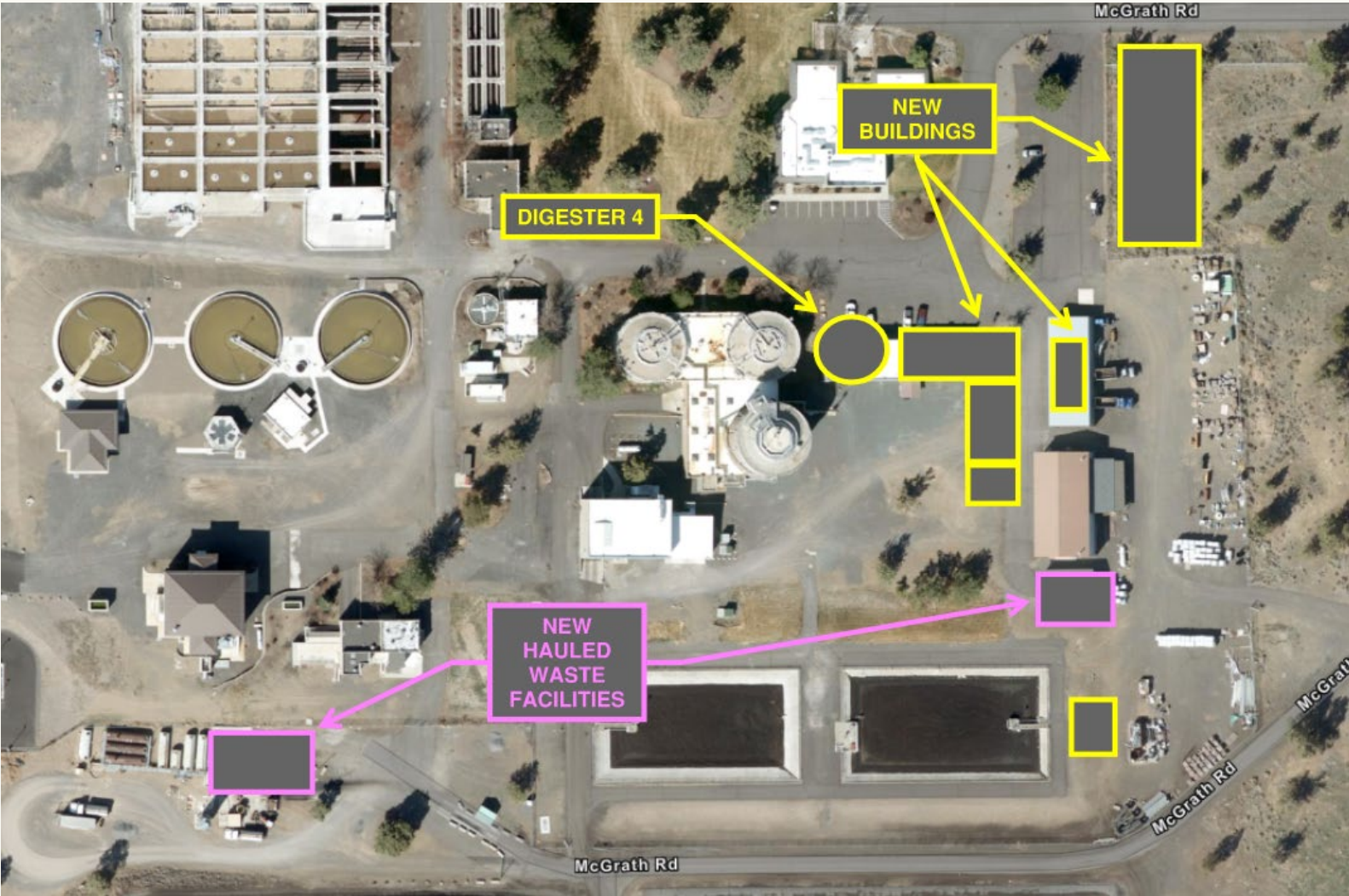


Digester 3 South & East Elevations

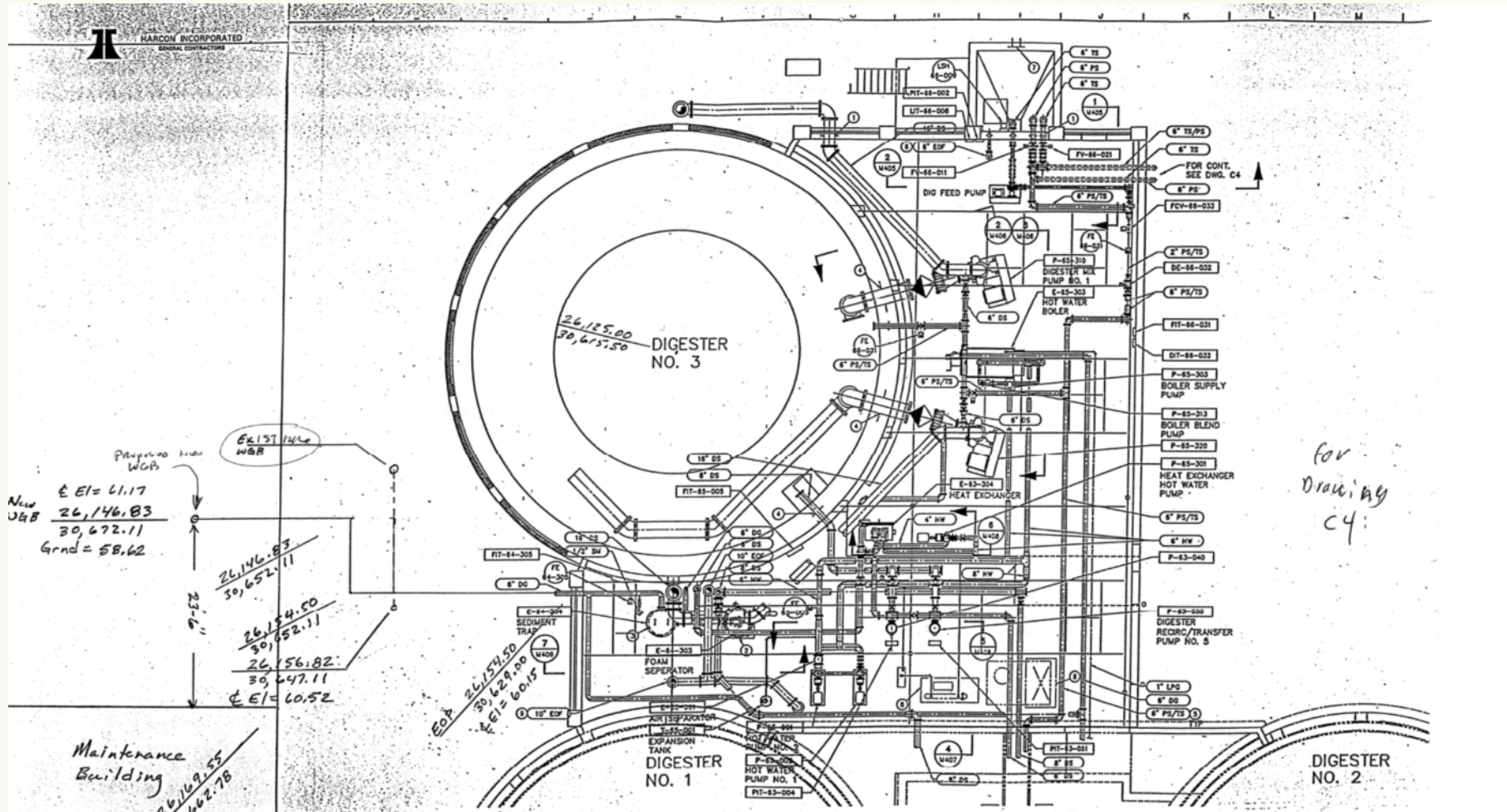
Scope of Work

- **Digester No. 4**
 - Electrical and Instrumentation/Controls
 - Electrical Service and Generator
 - Mechanical Equipment
 - Boilers, Pumps, Heat Loop, & Biogas Treatment and Disposal, etc.
 - Maintenance Building
 - Control and Equipment Buildings
- **Hauled Waste Handling and Receiving Facilities**
 - Fats, Oils, & Grease
 - Septic Tank Waste
 - Portable Toilet Waste

Anticipated Process Area Layout

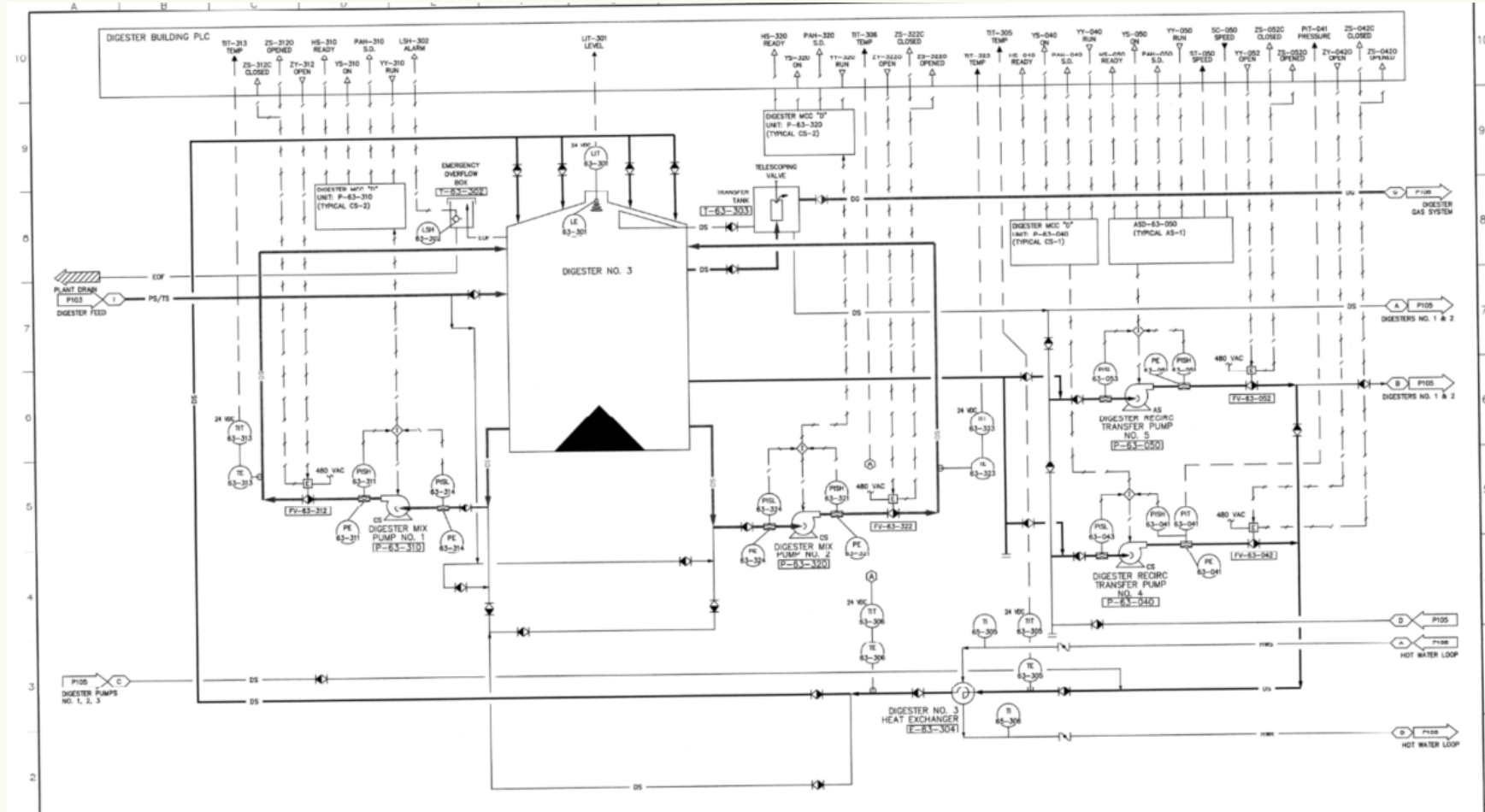


Complex Project



Mechanical Piping & Equipment

Complex Project



Electrical and Instrumentation Control

CM/GC Recommendation

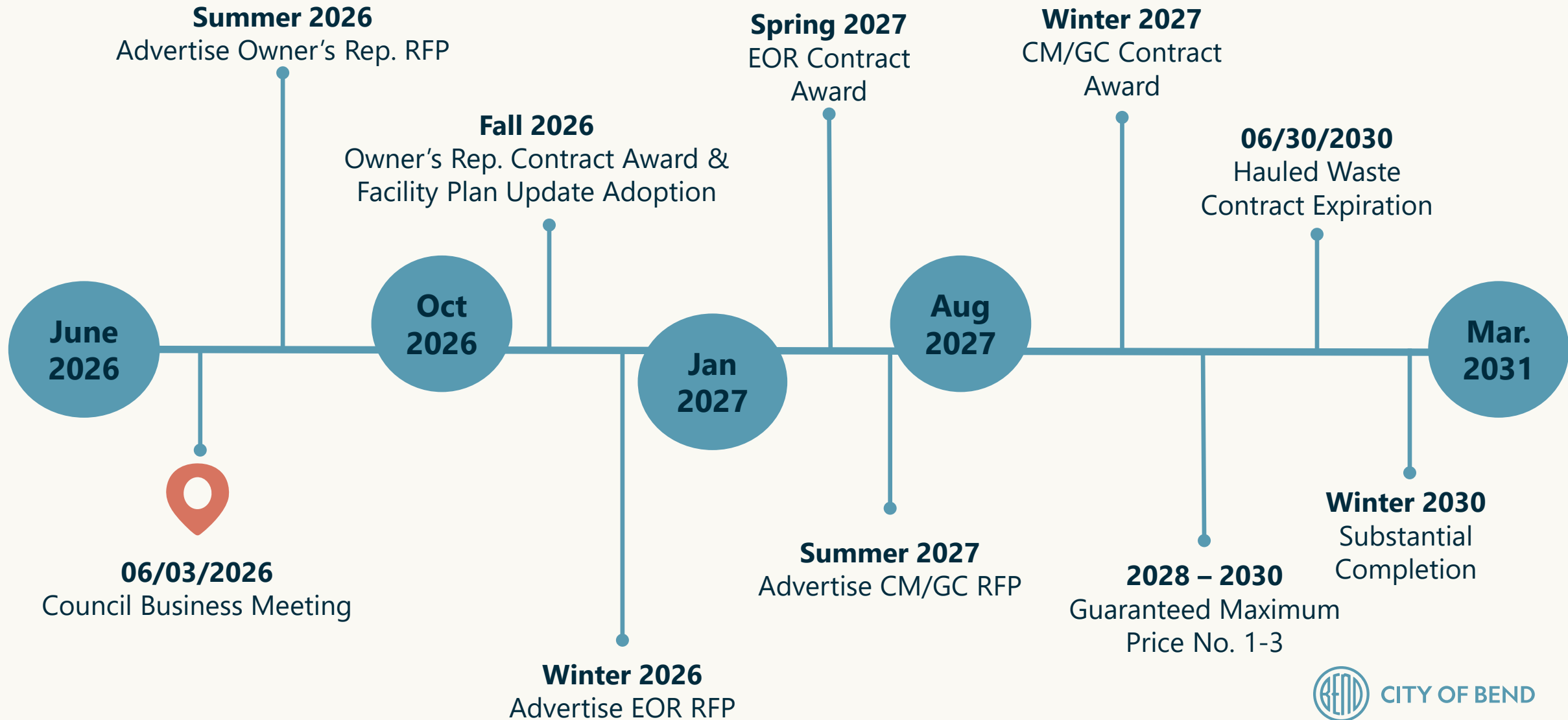
Pros:

- Schedule Flexibility – GMPs, preconstruction and construction.
- Contractor involvement early for innovation, phasing, and efficiencies to maintain WRF operation.
- Technically complex work. Need expertise.
- CM/GC allows opportunity for Operations Team to heavily influence design.
- CM/GC keeps funding options open if future opportunities arise.
- Expect similar levels of competition as low-bid method; anticipate 3-6 proposals.

Cons:

- Reduced pricing certainty increases the need for contingency.
- Greater reliance on owner sophistication for effective risk allocation.
- More complex procurement and negotiation requirements.

1SD4H – Project Timeline



COMMITTEE DISCUSSION



Language Assistance Services & Accommodation Information for People with Disabilities



Accommodation Information for People with Disabilities & Language Assistance Services

You can obtain this information in alternate formats such as Braille, electronic format, etc. Free language assistance services are also available. Please email accessibility@bendoregon.gov or call 541-693-2198. Relay Users Dial 7-1-1. All requests are subject to vendor processing times and should be submitted 48-72 hours in advance of events.

Servicios de asistencia lingüística e información sobre alojamiento para personas con discapacidad

Puede obtener esta información en formatos alternativos como Braille, formato electrónico, etc. También disponemos de servicios gratuitos de asistencia lingüística. Póngase en contacto en correo electrónico accessibility@bendoregon.gov o número de teléfono 541-693-2198. Los usuarios del servicio de retransmisión deben marcar el 7-1-1. Por favor, envíe sus solicitudes con 48-72 horas de antelación al evento; todas las solicitudes están sujetas a los tiempos de procesamiento del proveedor.

Accessible Meeting Information



Accessible Meeting/Alternate Format Notification

This meeting/event location is accessible. Sign and other language interpreter service, assistive listening devices, materials in alternate format such as Braille, large print, electronic formats, language translations or any other accommodations are available upon advance request at no cost. Please email accessibility@bendoregon.gov or call 541-693-2198. Relay Users Dial 7-1-1. All requests are subject to vendor processing times and should be submitted 48-72 hours in advance of events.

Información sobre accesibilidad en reuniones

Hay accesibilidad disponible en esta reunión. Si se solicita con antelación, se puede disponer de servicio de intérprete de lengua de señas, dispositivos de ayuda auditiva, materiales en formatos alternativos como Braille, letra grande, formatos electrónicos o cualquier otro tipo de adaptación. Póngase en contacto en correo electrónico accessibility@bendoregon.gov o número de teléfono 541-693-2198. Los usuarios del servicio de retransmisión deben marcar el 7-1-1. Por favor, envíe sus solicitudes con 48-72 horas de antelación al evento; todas las solicitudes están sujetas a los tiempos de procesamiento del proveedor.