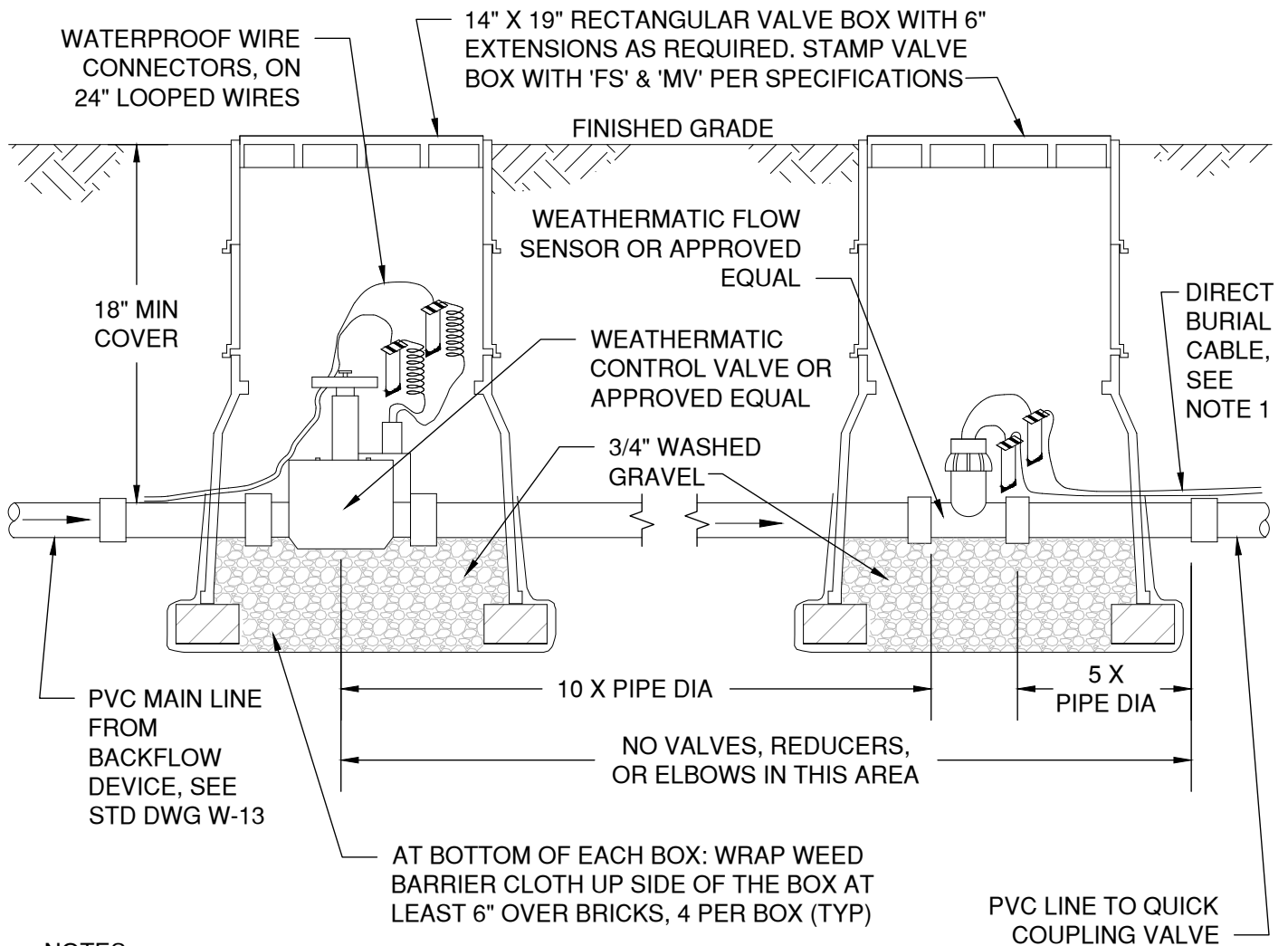
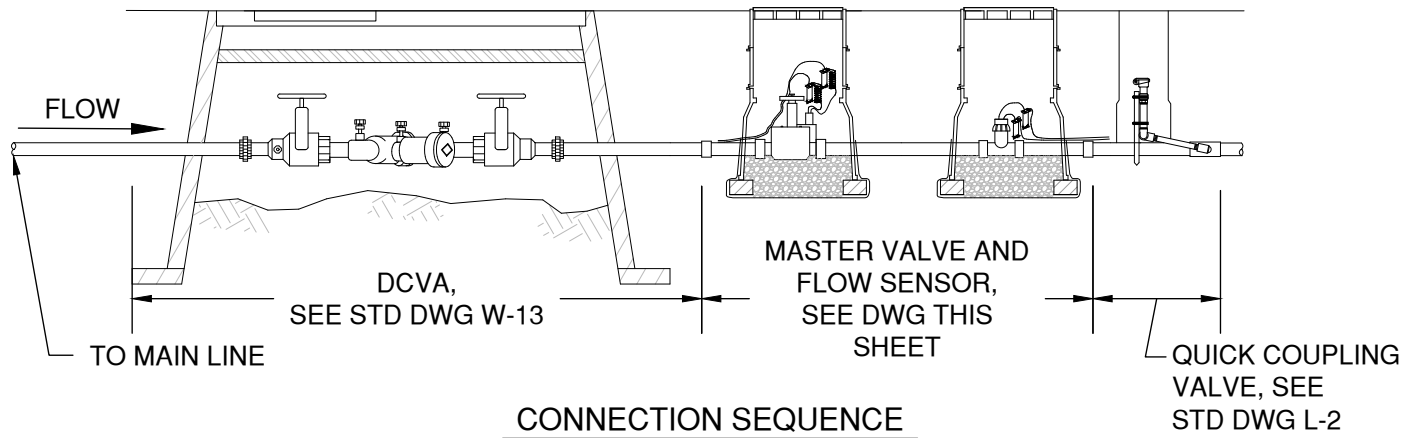

CITY OF BEND STANDARD DRAWINGS
Landscaping (L)



NOTES:

1. DIRECT BURIAL 1 PAIR, TWISTED SHIELDED CABLE-MIN CONDUCTOR SIZE 20 AWG. DO NOT EXCEED 2,000 FEET IN LAYING DISTANCE FROM FLOW SENSOR TO IRRIGATION CONTROLLER.
2. SIZE FLOW SENSOR BASED ON REQUIRED GPM NEEDED ON PROJECT.
3. MIN DISTANCES BETWEEN ANY FITTING OR VALVE AND FLOW SENSOR ARE NOTED ABOVE.

DRAWN ARS
DIV LNDSCP
REV DATE



CITY OF BEND

STANDARD DRAWING

710 NW WALL ST., BEND, OREGON 97701

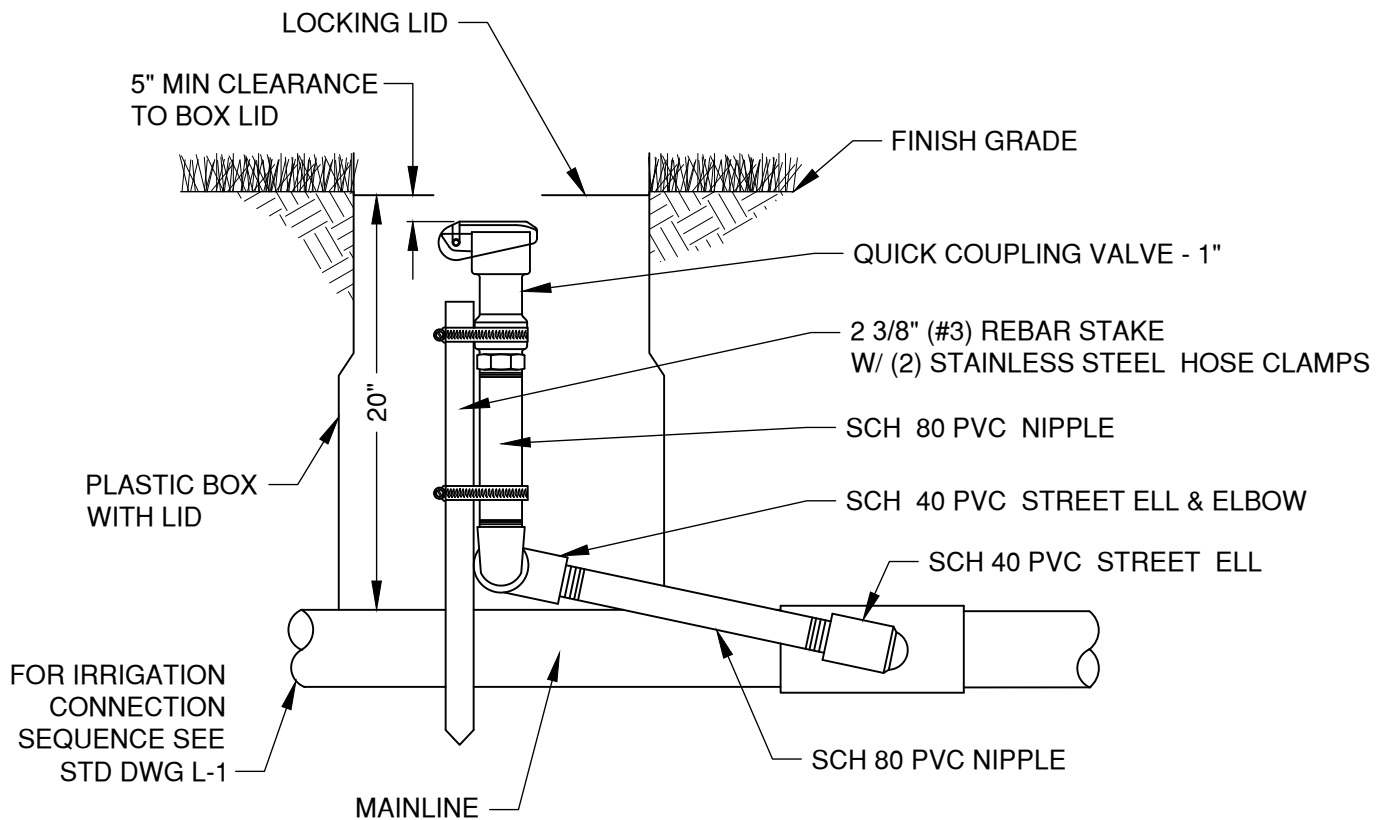
**IRRIGATION CONNECTION SEQUENCE AND
MASTER VALVE AND FLOW SENSOR**

SCALE NTS

DATE 04/16/2026

APPR

STD DWG L-1



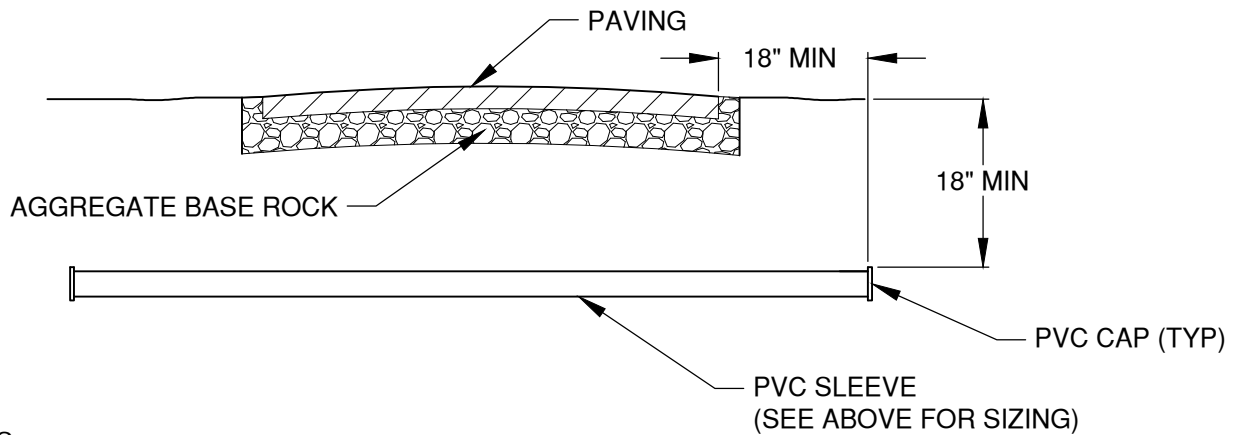
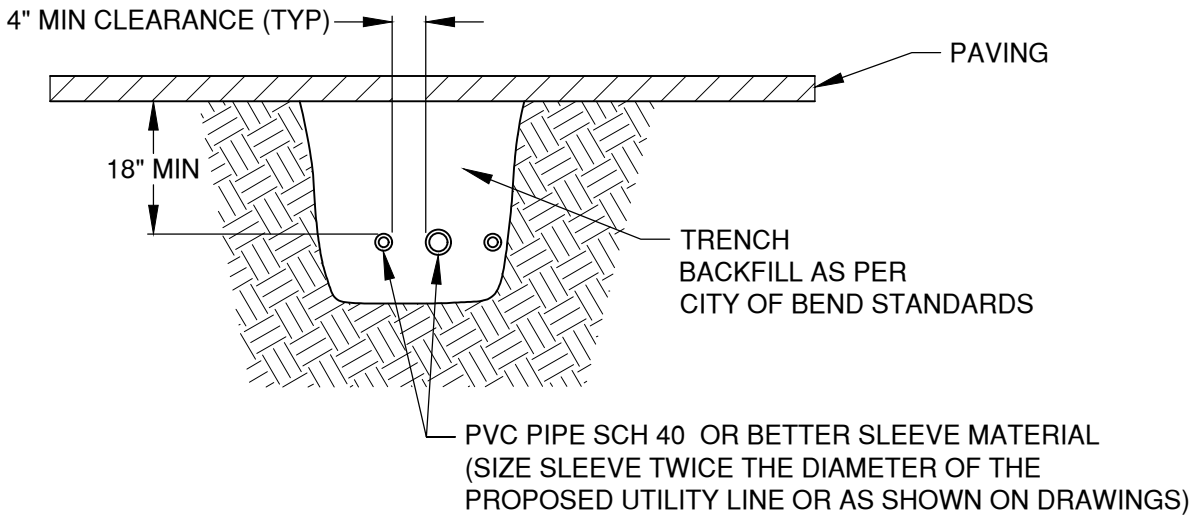
DRAWN LJC
 DIV LNDSCLP
 REV DATE



CITY OF BEND
 STANDARD DRAWING
 710 NW WALL ST., BEND, OREGON 97701

IRRIGATION BLOWOUT - QUICK COUPLING VALVE

SCALE NTS
 DATE 04/16/2026
 APPR
 STD DWG L-2



NOTES:

1. COMPACTION SHALL MEET 00405.46C PER CITY OF BEND SPECIAL PROVISIONS
2. 12" MIN COVER UNDER SIDEWALKS
3. SEE STD DWGS R-10 AND R-11 FOR TRENCH BACKFILL AND ROAD RESTORATION REQUIREMENTS.

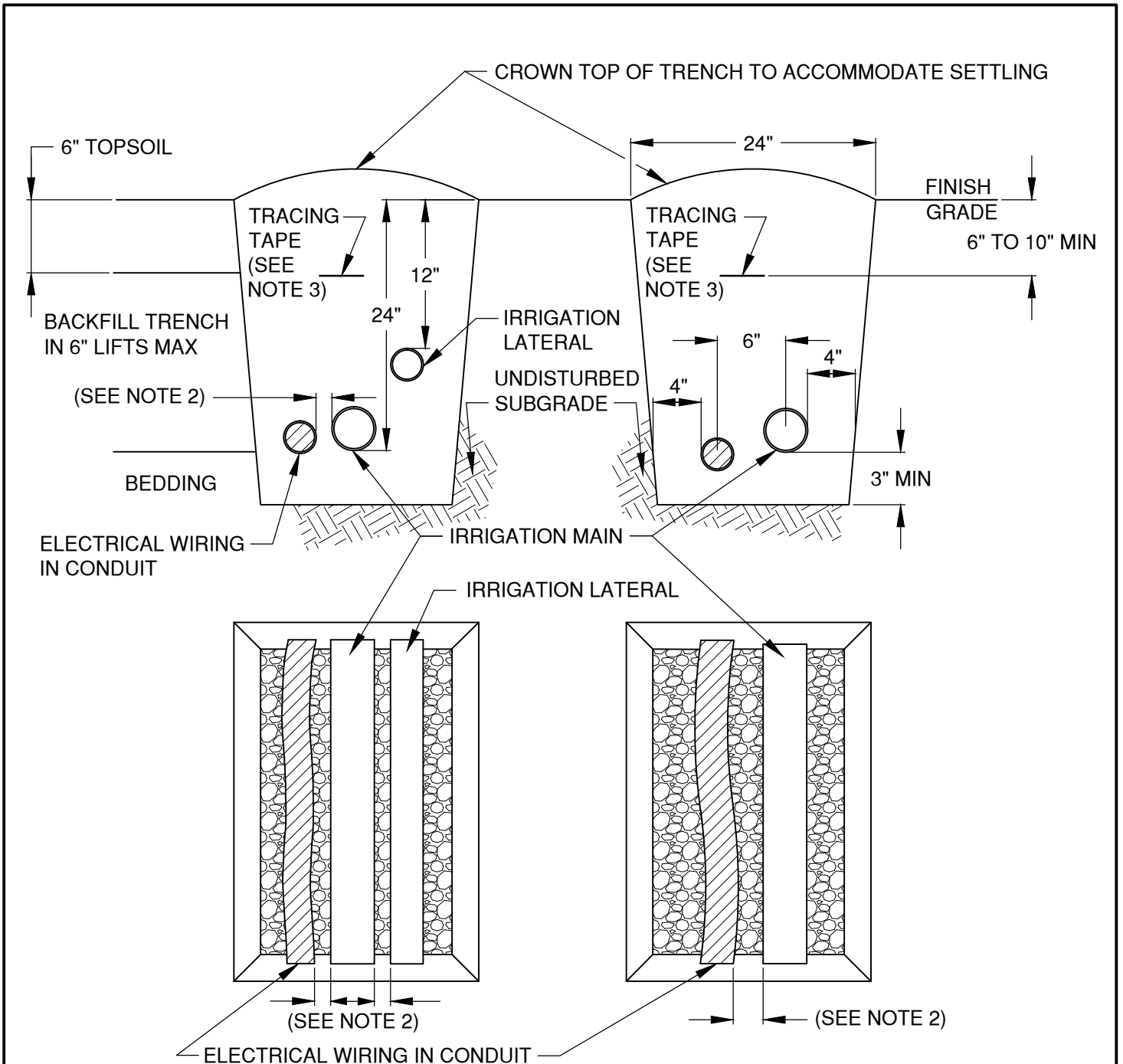
DRAWN AJD	
DIV LNDSCP	
REV	DATE



CITY OF BEND
 STANDARD DRAWING
 710 NW WALL ST., BEND, OREGON 97701

SCALE NTS
DATE 01/31/2022
APPR
STD DWG L-3

IRRIGATION SLEEVE UNDER PAVING



NOTES:

- 1. MINIMUM DEPTH OVER PVC PIPE:
 10" FOR 1-1/4" OR SMALLER
 12" FOR 1-1/2" TO 2" PIPE
 14" FOR 2-1/2" TO 3" LATERALS
 18" FOR MAINLINE PIPING AND SLEEVES
- 2. CLEARANCE BETWEEN PIPE:
 4" FOR PIPE 2" AND SMALLER
 6" FOR LARGER PIPE
- 3. PROVIDE A DETECTABLE TAPE OR WIRE USING A CONTINUOUS MINIMUM 14 GAUGE SINGLE STRAND LOCATOR WIRE IN TRENCH A MINIMUM 6" TO 10" BELOW FINISH GRADE. TRACING TAPE OR WIRE SHALL BE LOCATED A MINIMUM 6" ABOVE PIPING ON MAINLINE INSTALLATIONS

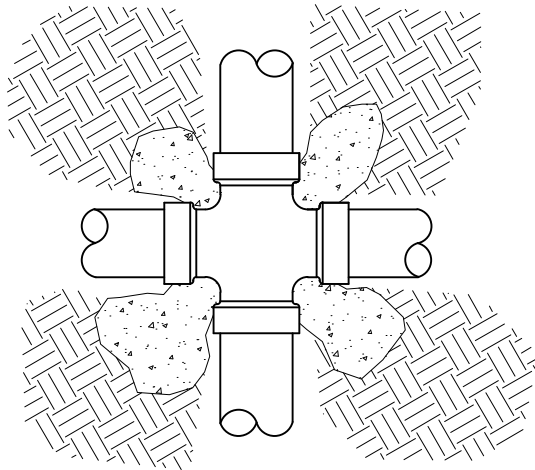
DRAWN LJC	
DIV LNDSCP	
REV	DATE



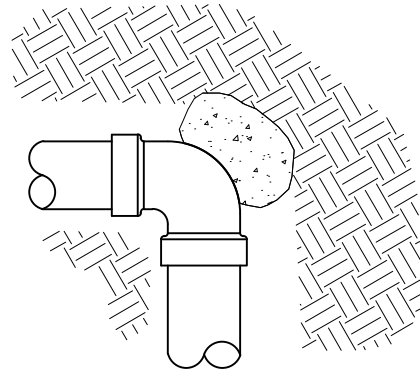
CITY OF BEND
 STANDARD DRAWING
 710 NW WALL ST., BEND, OREGON 97701

IRRIGATION - TYPICAL TRENCH

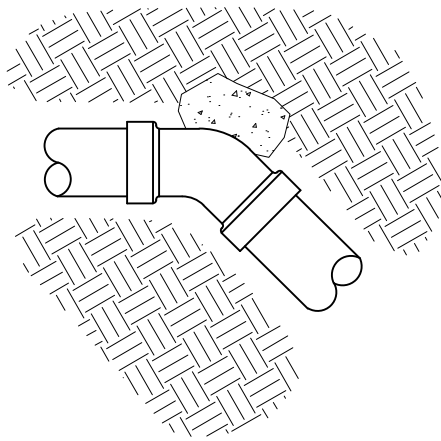
SCALE NTS
DATE 12/1/17
APPR
STD DWG L-4



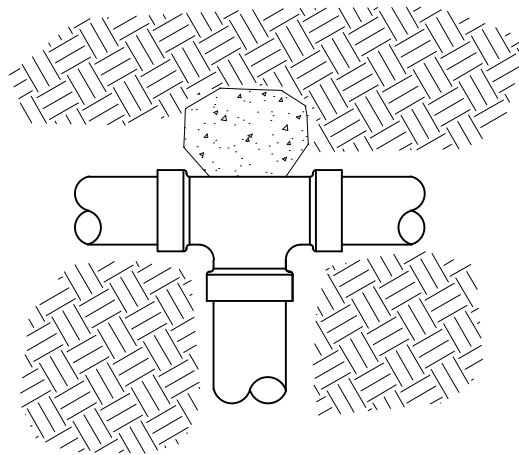
CROSS



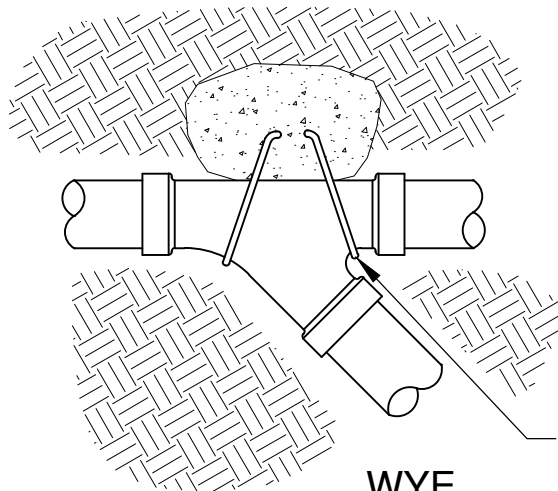
ELL



45° ELL



TEE



REBAR LOOP TIE

WYE

NOTES:

1. SUPPLY LINES 3" IN DIAMETER AND LARGER SHALL RECEIVE THRUST BLOCKS
2. USE A MINIMUM 1 CU FT OF CONCRETE IN EACH THRUST BLOCK POUR

DRAWN LJC	
DIV LNDSCP	
REV	DATE



CITY OF BEND

CITY OF BEND

STANDARD DRAWING

710 NW WALL ST., BEND, OREGON 97701

IRRIGATION FITTINGS

SCALE NTS

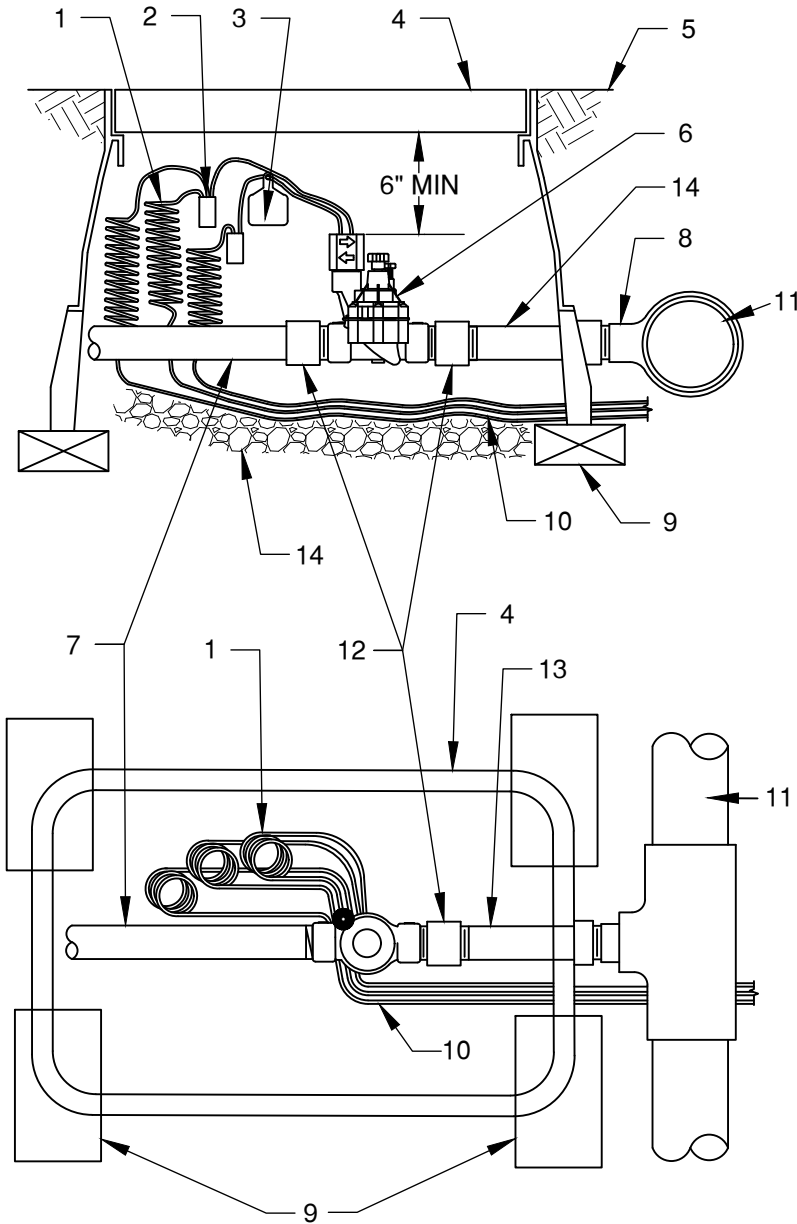
DATE 12/1/17

APPR

STD DWG L-5

- 1 30" LINEAR LENGTH OF WIRE, COILED
- 2 WATER PROOF CONNECTION (1 OF 2)
- 3 ID TAG
- 4 VALVE BOX WITH COVER: AMETEK STANDARD OR EQUAL
- 5 FINISH GRADE/TOP OF MULCH ALLOW 2" DEPTH MIN FOR BARK IF LOCATED IN SHRUB BED

- 6 REMOTE CONTROL VALVE: AS SPECIFIED ON DRAWING
- 7 PVC SCHEDULE 40 PIPE
- 8 PVC SADDLE FEMALE THREAD
- 9 TREATED WOOD OR BRICK SUPPORT (LENGTH AS REQ'D.)
- 10 CONTROL WIRING 24 VAC
- 11 PVC MAINLINE PIPE
- 12 SCH 80 MALE ADAPTER
- 13 PVC SCH 40
- 14 GRAVEL BED AT BOTTOM OF BOX 6" MIN DEPTH



DRAWN LJC
 DIV SANITARY
 REV DATE



CITY OF BEND

CITY OF BEND
 STANDARD DRAWING

710 NW WALL ST., BEND, OREGON 97701

IRRIGATION REMOTE CONTROL VALVE

SCALE NTS

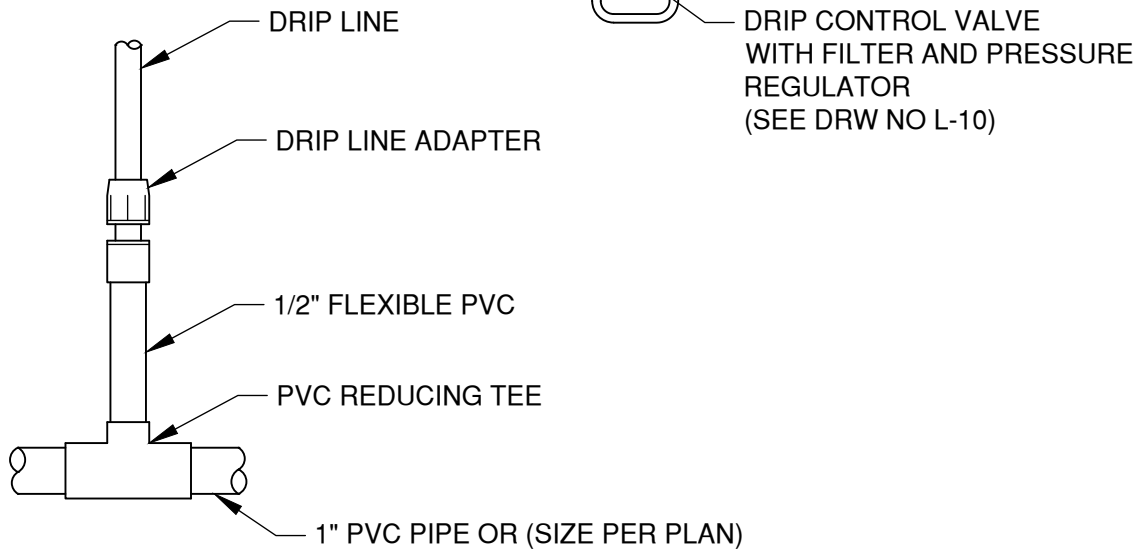
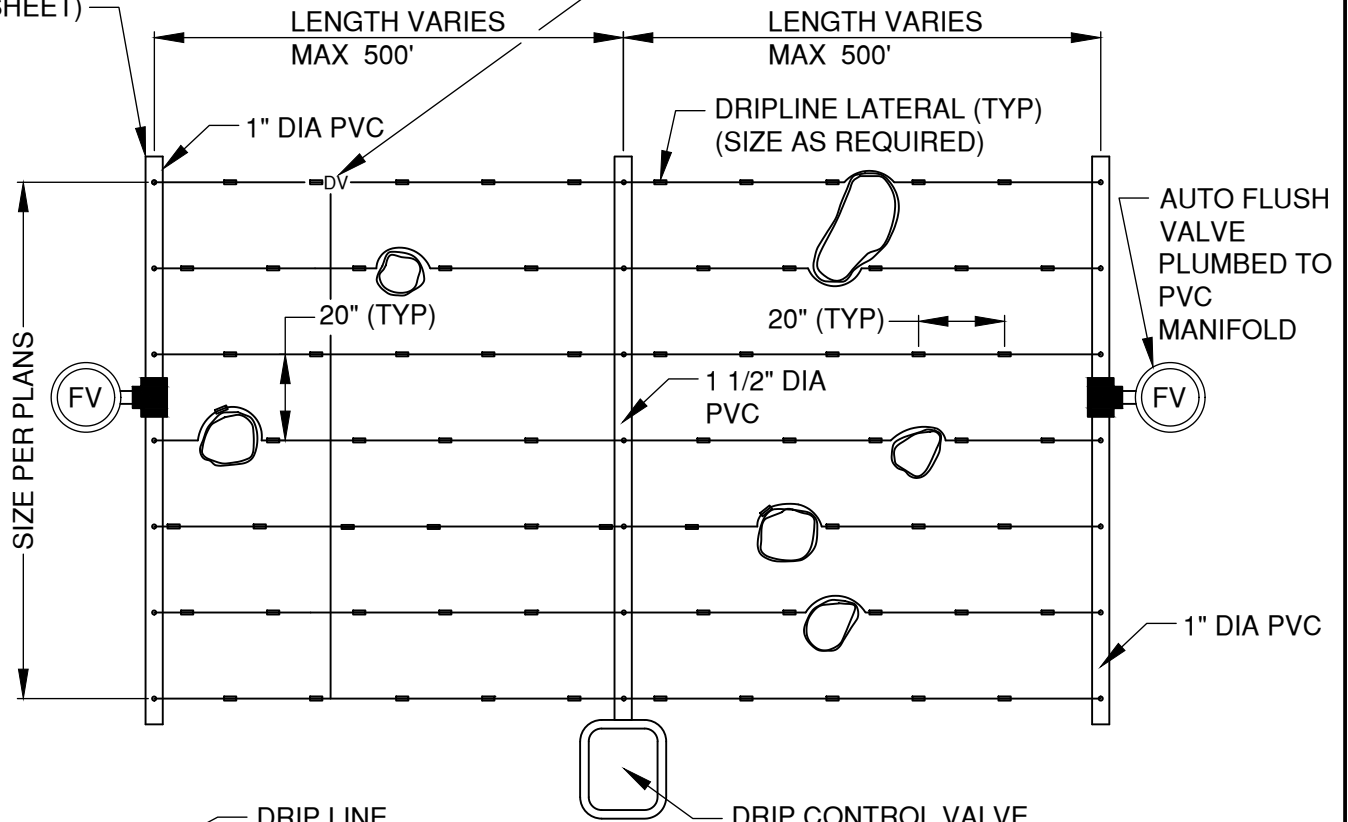
DATE 04/16/2026

APPR

STD DWG L-6

PVC DRIPLINE FEEDER MANIFOLD (SEE DETAIL THIS SHEET)

AIR/VACUUM RELIEF VALVE (PLUMBED TO DRIPLINE AT EACH HIGH POINT)



TYPICAL PVC DRIPLINE MANIFOLD CONNECTION

NOTES:

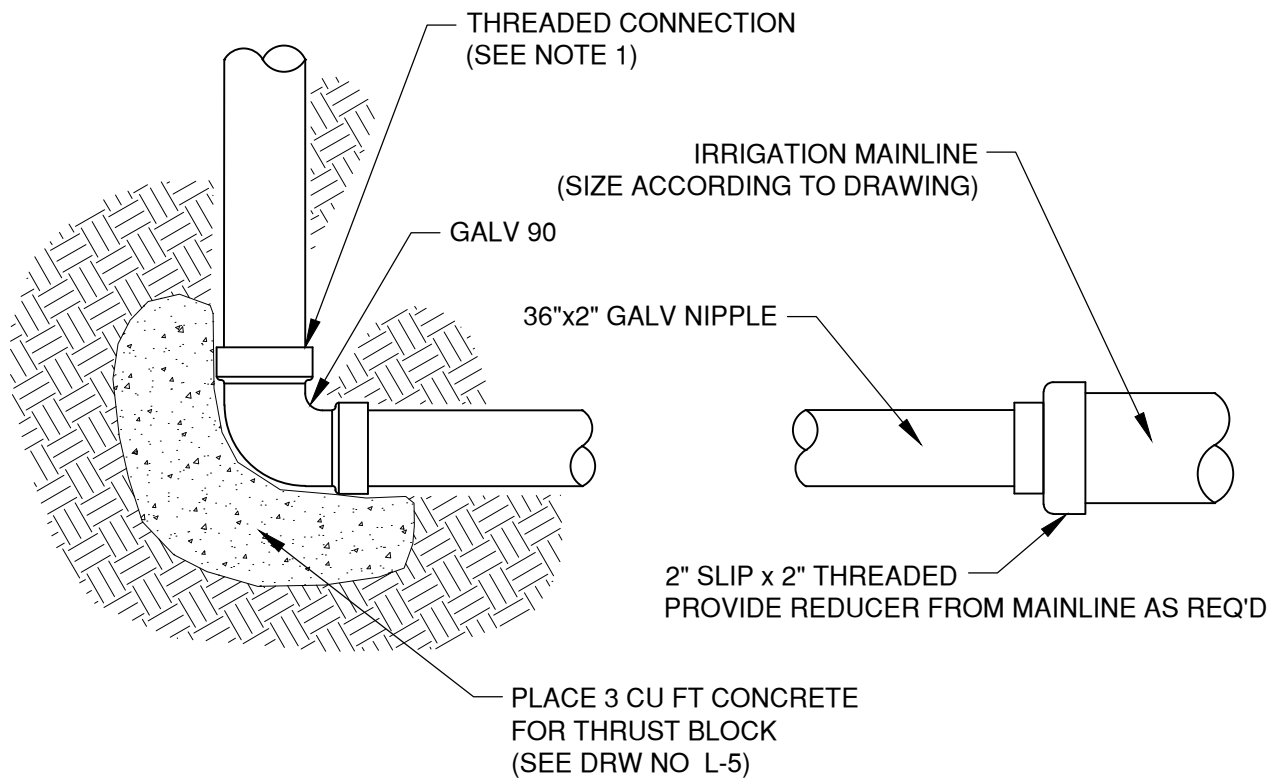
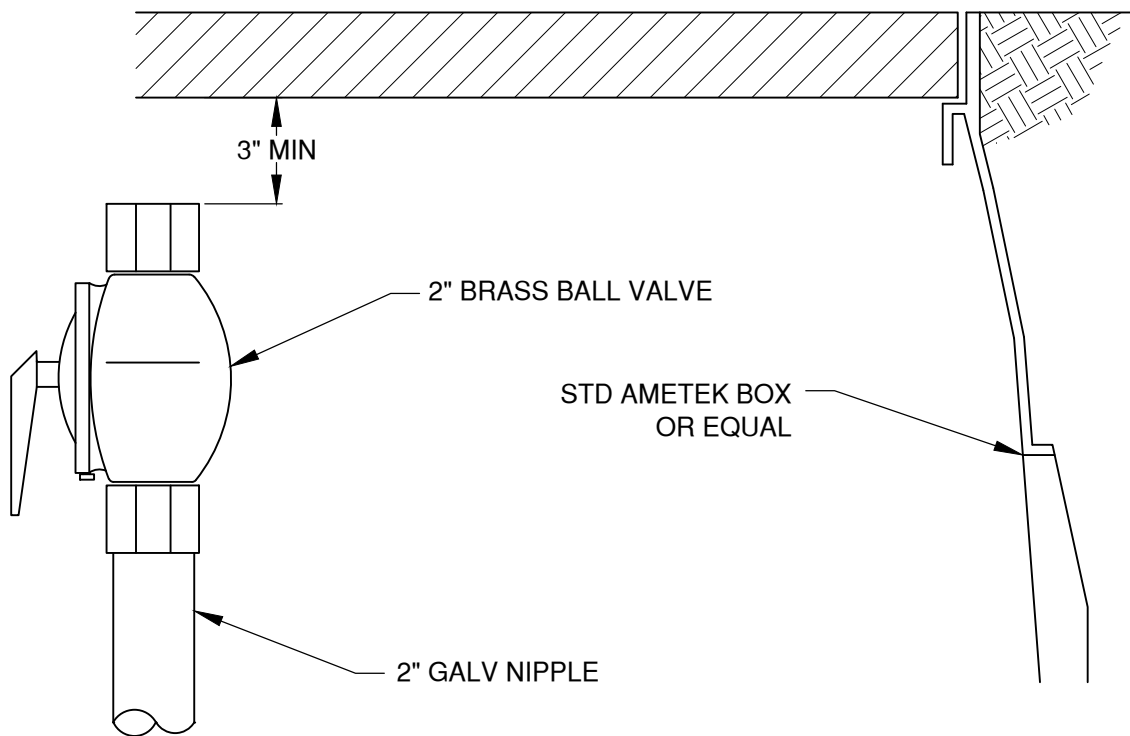
- 1. RELOCATE DRIP LINES AROUND OBSTACLES AS NEEDED

DRAWN	LJC
DIV	LNDSCLP
REV	DATE



CITY OF BEND
 STANDARD DRAWING
 710 NW WALL ST., BEND, OREGON 97701
PLANTING OR TURF BED DRIP LAYOUT

SCALE	NTS
DATE	04/16/2026
APPR	
STD DWG	L-7



NOTES:

1. PROVIDE ALL THREADED CONNECTIONS WITH A NON-HARDENING, JOINT COMPOUND, COMPATIBLE WITH MANUFACTURERS RECOMMENDATION

DRAWN LJC	
DIV LNDSCP	
REV	DATE



CITY OF BEND

CITY OF BEND

STANDARD DRAWING

710 NW WALL ST., BEND, OREGON 97701

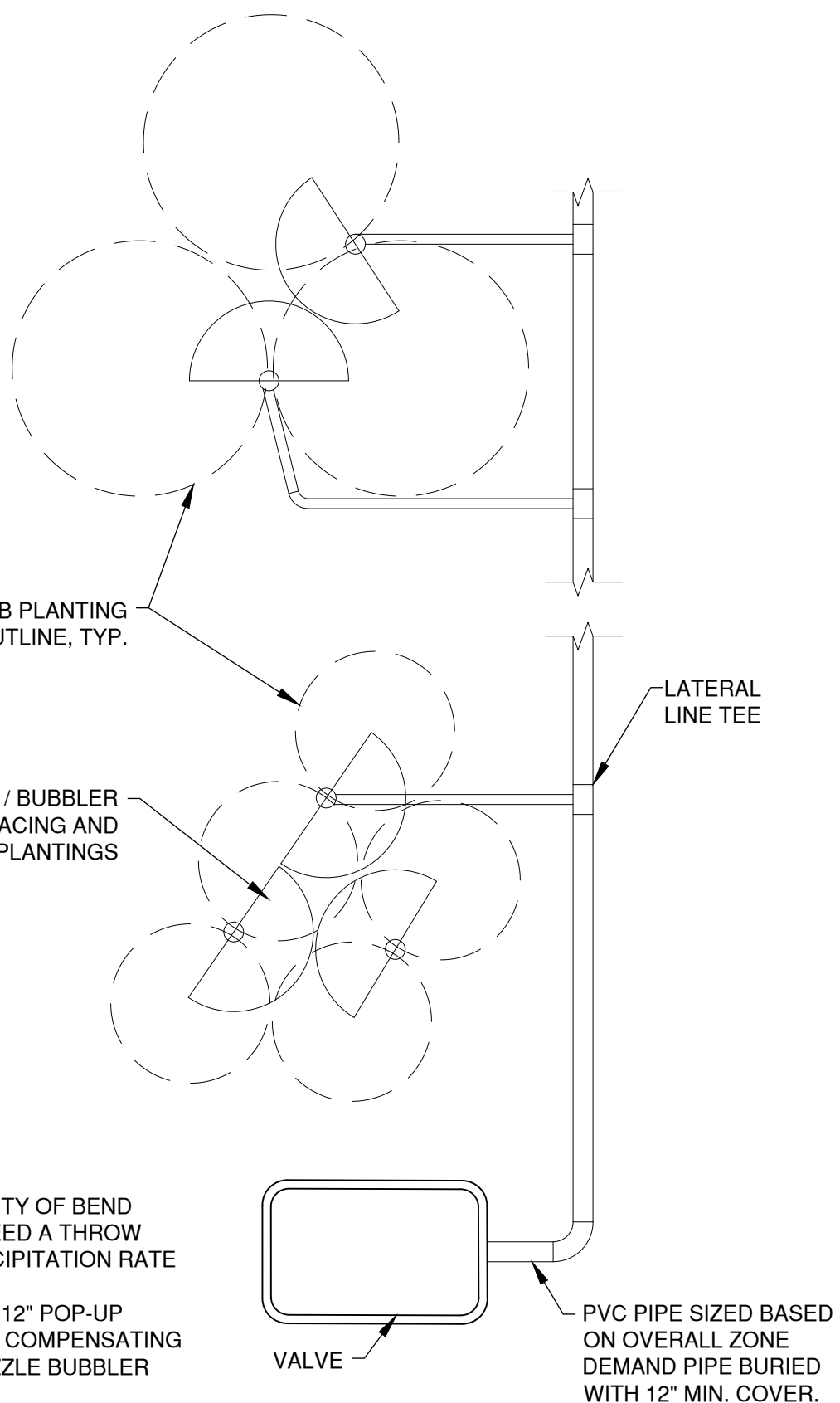
TERMINATION POINT

SCALE NTS

DATE 12/1/17

APPR

STD DWG L-8



NOTES:

1. NOZZLE DEVICE TO MEET CITY OF BEND STANDARDS AND NOT EXCEED A THROW DISTANCE OF 4' AND A PRECIPITATION RATE UNDER 1" PER HOUR.
2. INSTALL NOZZLES ON 6" OR 12" POP-UP BODIES. UTILIZE PRESSURE COMPENSATING BODIES TO ALIGN WITH NOZZLE BUBBLER SELECTION.

PVC PIPE SIZED BASED ON OVERALL ZONE DEMAND PIPE BURIED WITH 12" MIN. COVER.

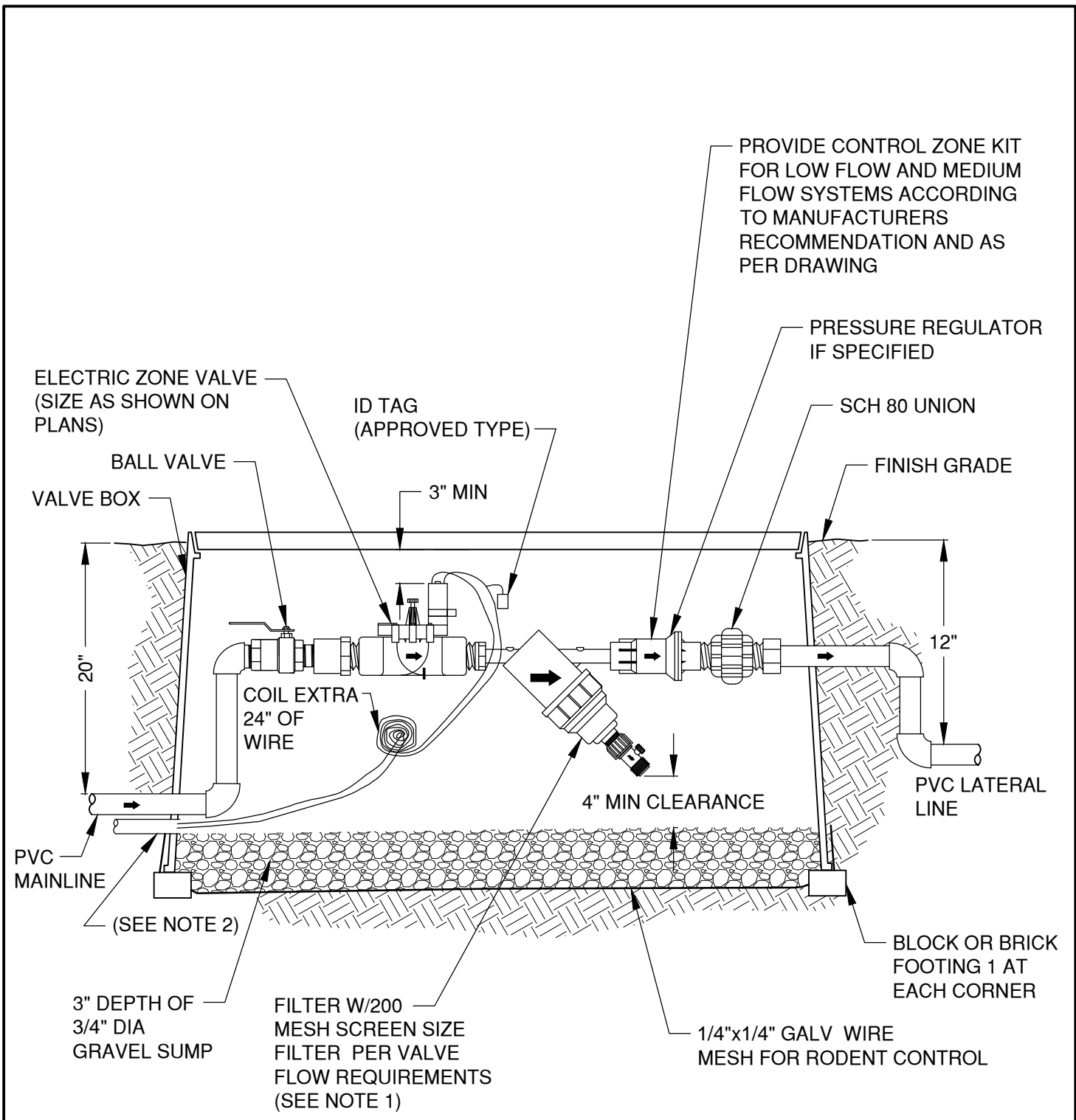
DRAWN ARS	
DIV LNDSCLP	
REV	DATE



CITY OF BEND
 STANDARD DRAWING
 710 NW WALL ST., BEND, OREGON 97701

MULTI STREAM BUBBLER LAYOUT

SCALE NTS
DATE 04/16/2026
APPR
STD DWG L-9



NOTES:

1. PROVIDE ADEQUATE SPACE FOR SERVICING THE SYSTEM
2. ALL ELECTRICAL WIRE TO BE INSTALLED IN APPROVED CONDUIT

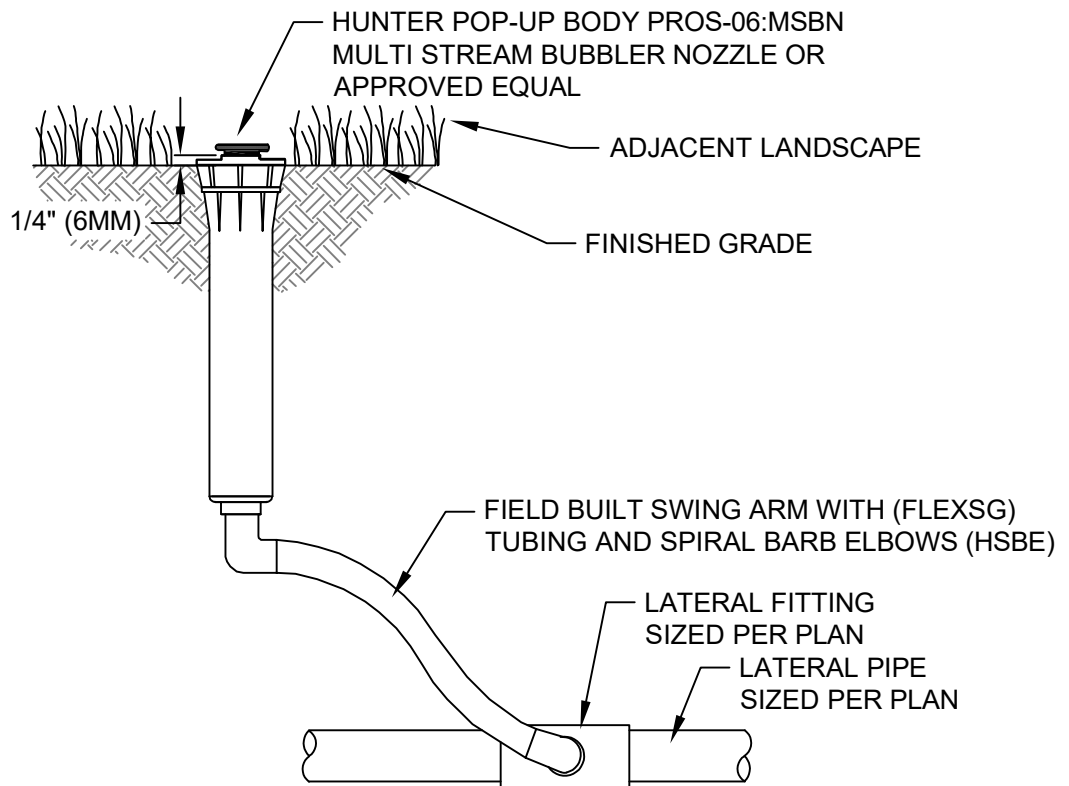
DRAWN LJC	
DIV LNDSCP	
REV	DATE



CITY OF BEND
 STANDARD DRAWING
 710 NW WALL ST., BEND, OREGON 97701

DRIP CONTROL VALVE, FILTER, AND REGULATOR

SCALE NTS
DATE 12/1/17
APPR
STD DWG L-10



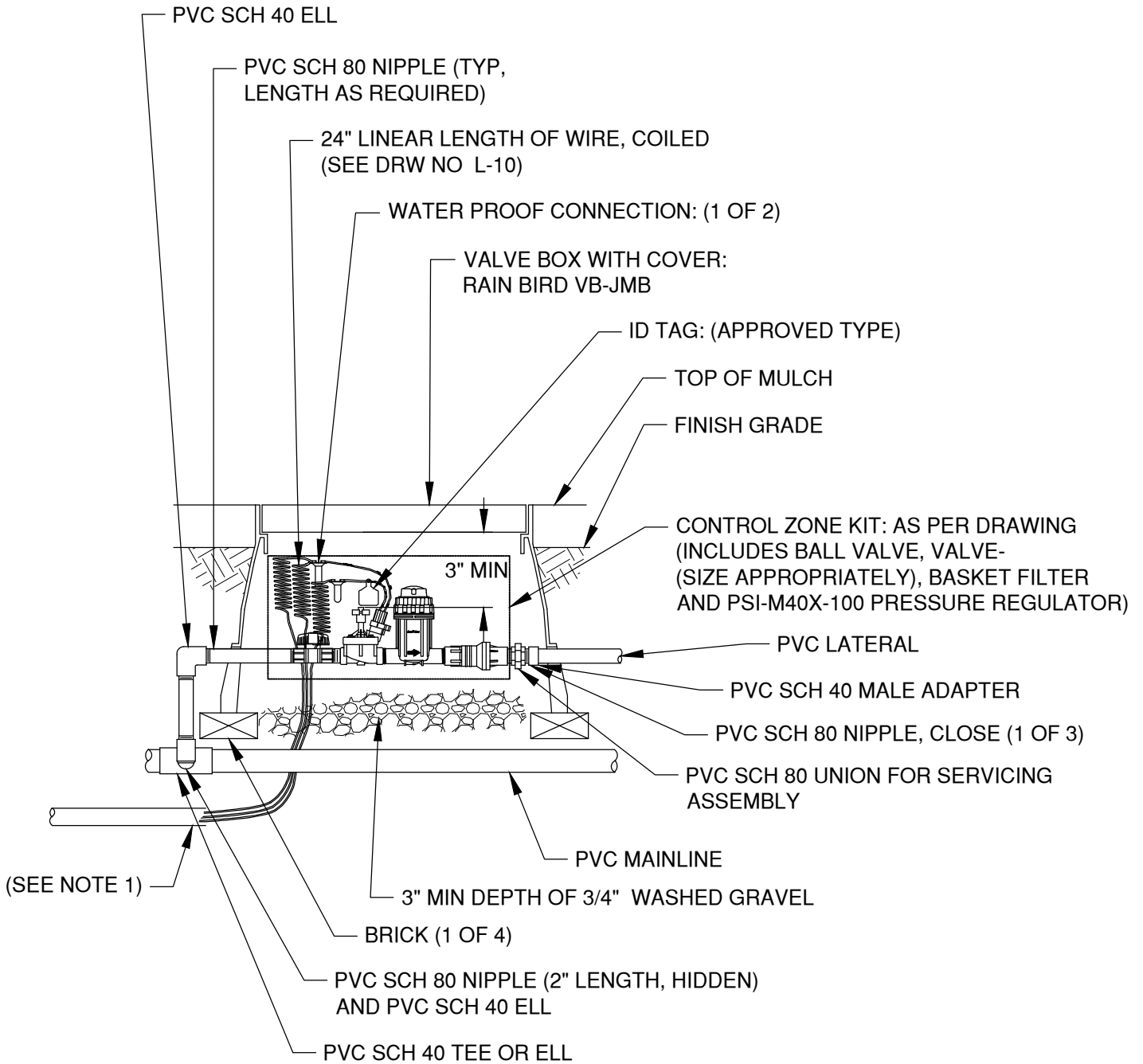
DRAWN CJH	
DIV LNDSCP	
REV	DATE



CITY OF BEND
 STANDARD DRAWING
 710 NW WALL ST., BEND, OREGON 97701

SCALE NTS
DATE 11/01/2024
APPR
STD DWG L-11

MSBN MULTI-STREAM BUBBLER



NOTES:

1. ALL ELECTRICAL WIRE TO BE INSTALLED IN APPROVED CONDUIT

DRAWN LJC	
DIV LNDSCP	
REV	DATE



CITY OF BEND

CITY OF BEND
STANDARD DRAWING

710 NW WALL ST., BEND, OREGON 97701

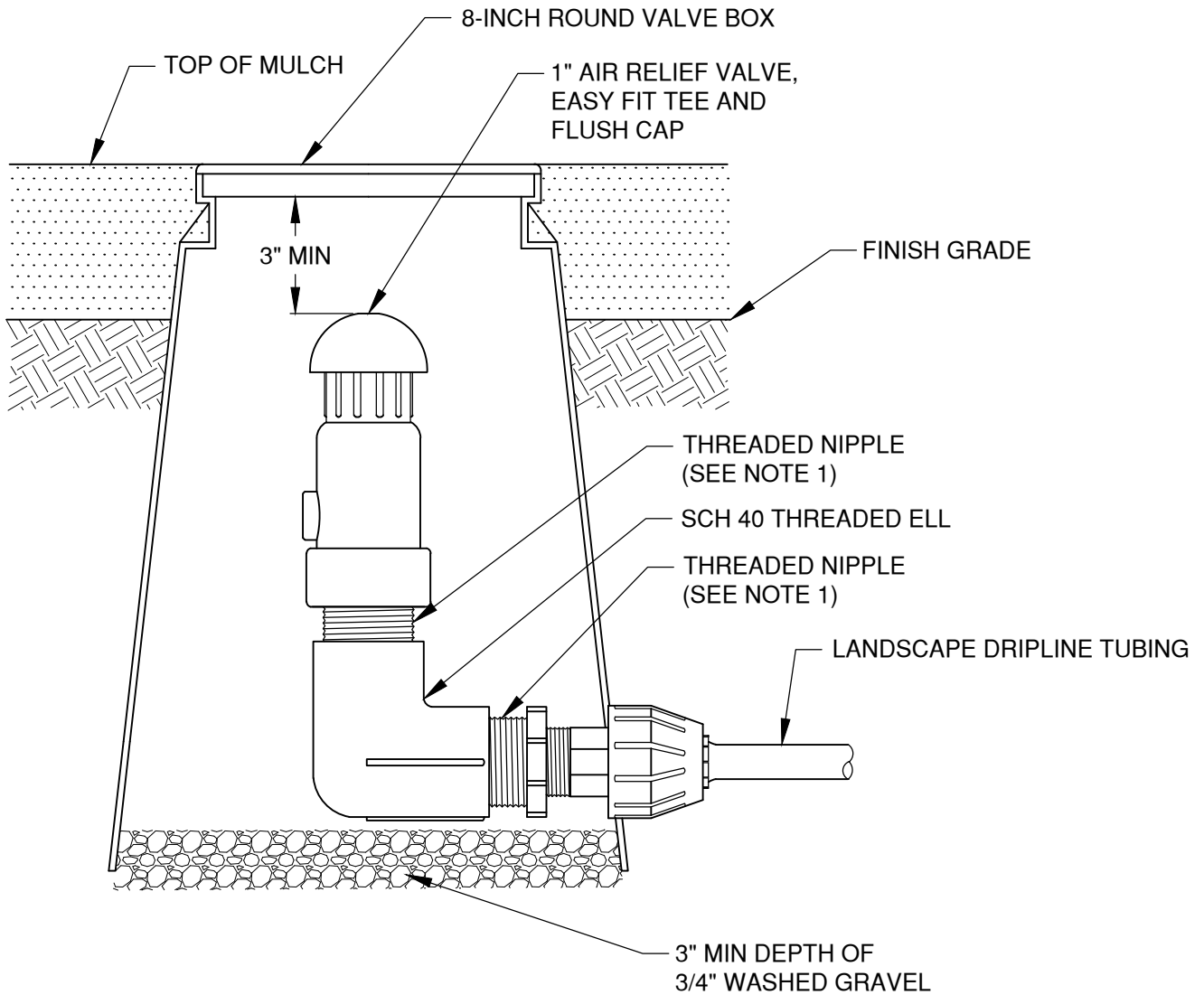
1" COMM. CONTROL ZONE KIT WITH BASKET FILTER

SCALE NTS

DATE 12/1/17

APPR

STD DWG L-12



NOTES:

1. PROVIDE ALL THREADED CONNECTIONS WITH A NON-HARDENING, JOINT COMPOUND, COMPATIBLE WITH MANUFACTURERS RECOMMENDATIONS

DRAWN LJC	
DIV LNDSCP	
REV	DATE



CITY OF BEND

CITY OF BEND

STANDARD DRAWING

710 NW WALL ST., BEND, OREGON 97701

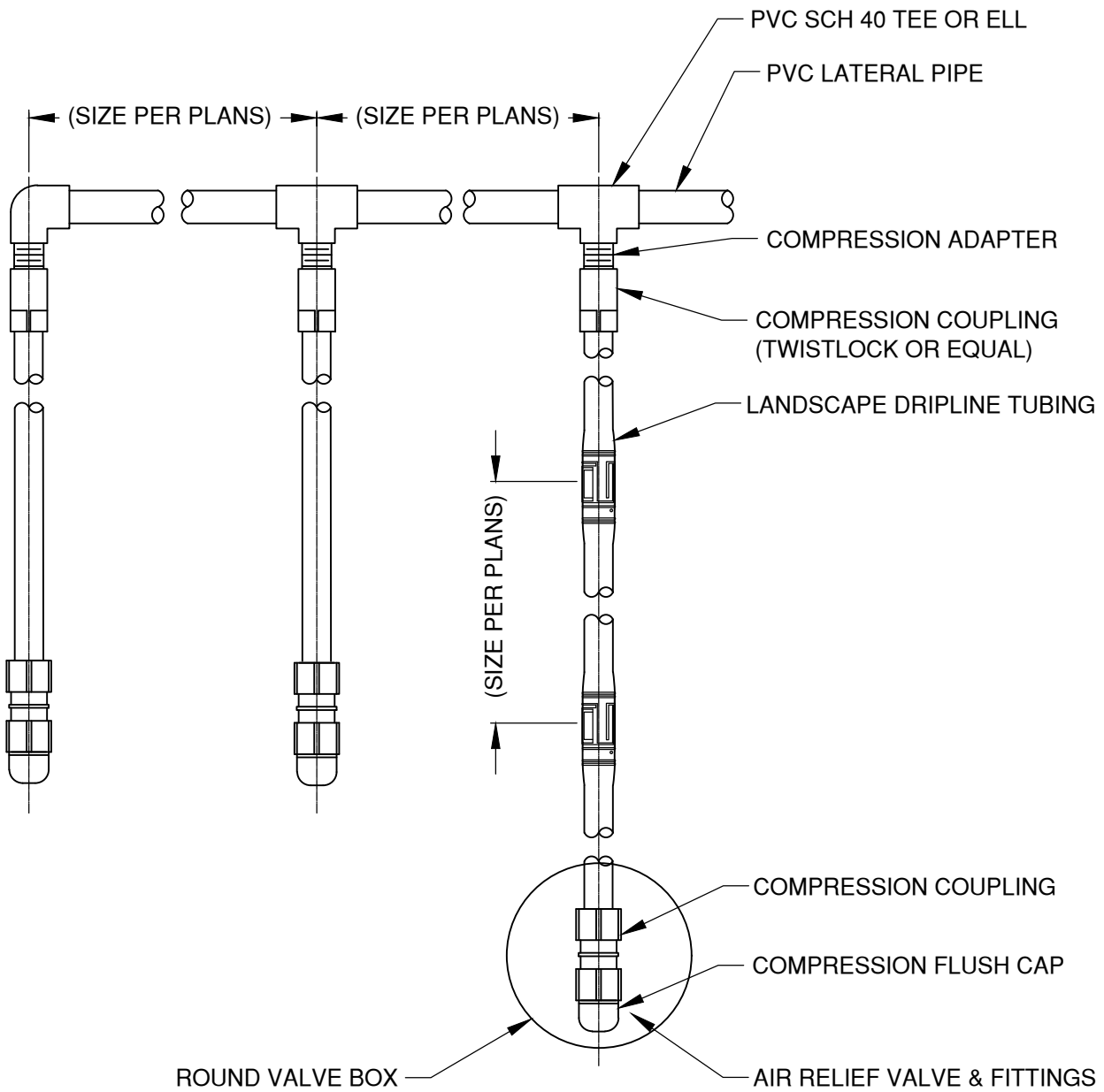
AIR RELIEF VALVE IN KIT - AR VALVE KIT

SCALE NTS

DATE 12/1/17

APPR

STD DWG L-13



NOTES:

1. LATERAL AND EMITTER SPACING DEPENDS ON SOIL TYPE, AND PLANT SPECIES.
2. SEE OSS - DET 6110 - PLANTING OR TURF BED DRIP LAYOUT FOR OVERALL SPECIFICATION

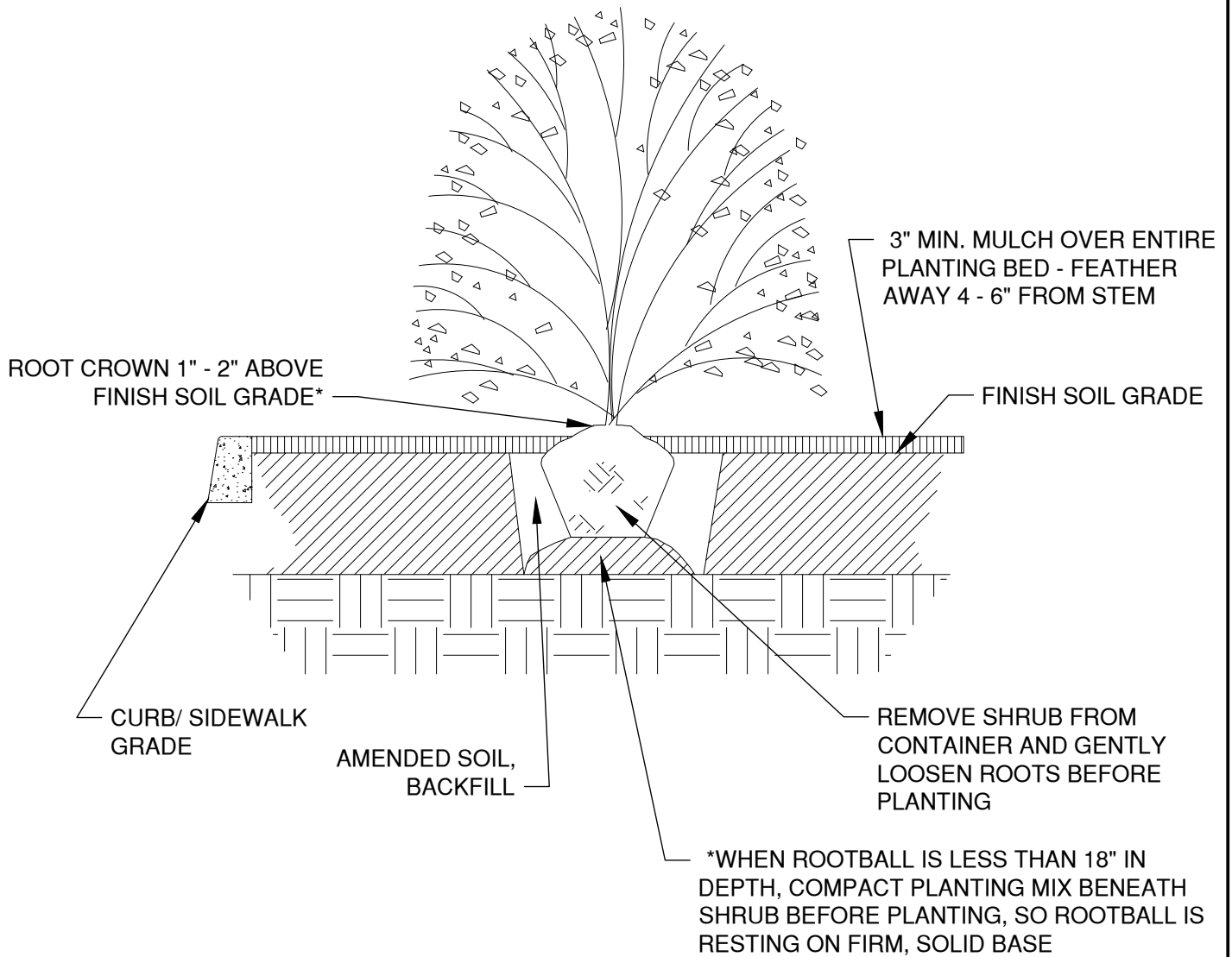
DRAWN LJC	
DIV LNDSCP	
REV	DATE
1	12/10/21



CITY OF BEND
 STANDARD DRAWING
 710 NW WALL ST., BEND, OREGON 97701

DRIP IRRIGATION MAINLINE LAYOUT

SCALE NTS
DATE 12/1/17
APPR
STD DWG L-14



NOTES:

1. SHRUBS PLANTED OUTSIDE OF LANDSCAPE MEDIANS, I.E. IN ROADSIDES, SHALL BE PLANTED IN A PLANTING PIT.

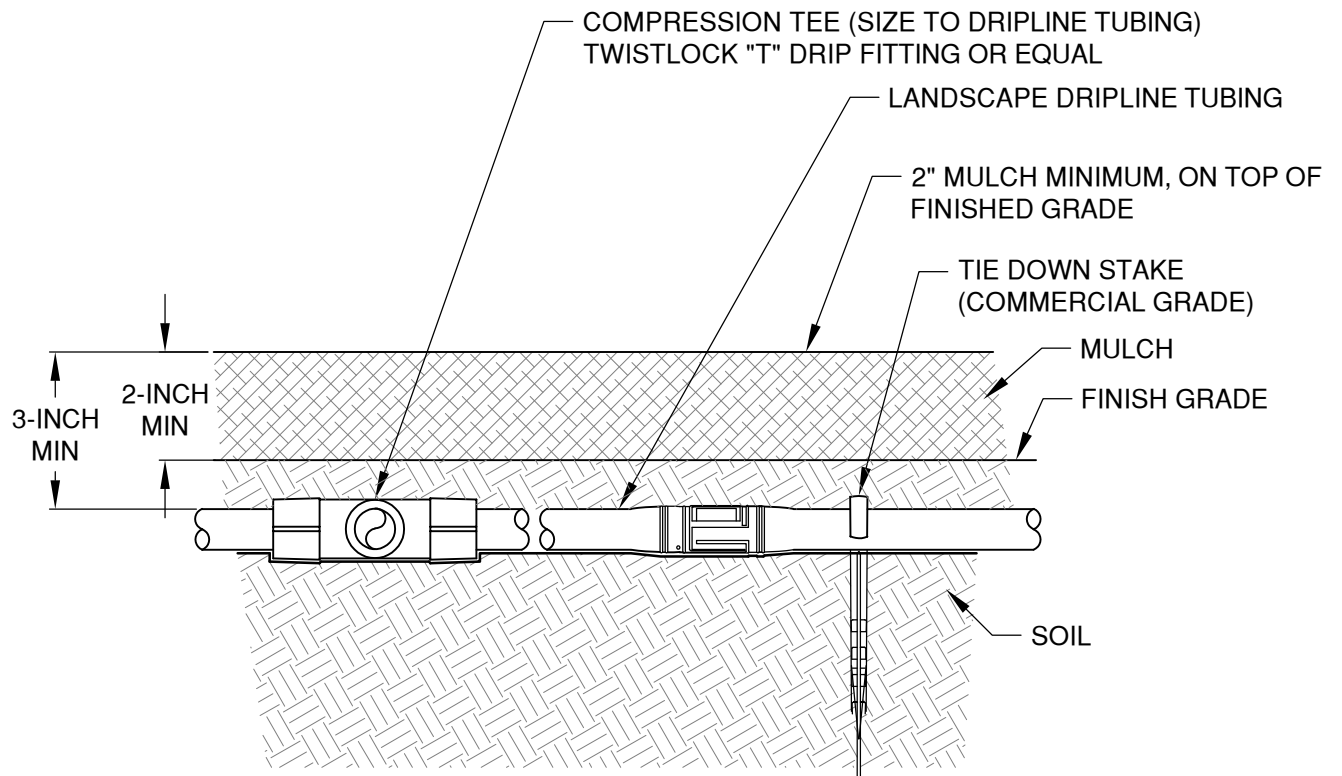
DRAWN ARS	
DIV LNDSCLP	
REV	DATE



CITY OF BEND
STANDARD DRAWING
710 NW WALL ST., BEND, OREGON 97701

SCALE NTS
DATE 04/16/2026
APPR
STD DWG L-15

PLANTING DETAIL



NOTES:

1. IF PUTTING LANDSCAPE DRIPLINE UNDER SOIL, DO NOT BURY MORE THAN 2" BELOW GRADE AND INCLUDE AIR RELIEF VALVE (SEE DRW NO L-13 "AIR RELIEF VALVE KIT-AR VALVE KIT")

DRAWN AJD	
DIV LNDSCP	
REV	DATE



CITY OF BEND

CITY OF BEND

STANDARD DRAWING

710 NW WALL ST., BEND, OREGON 97701

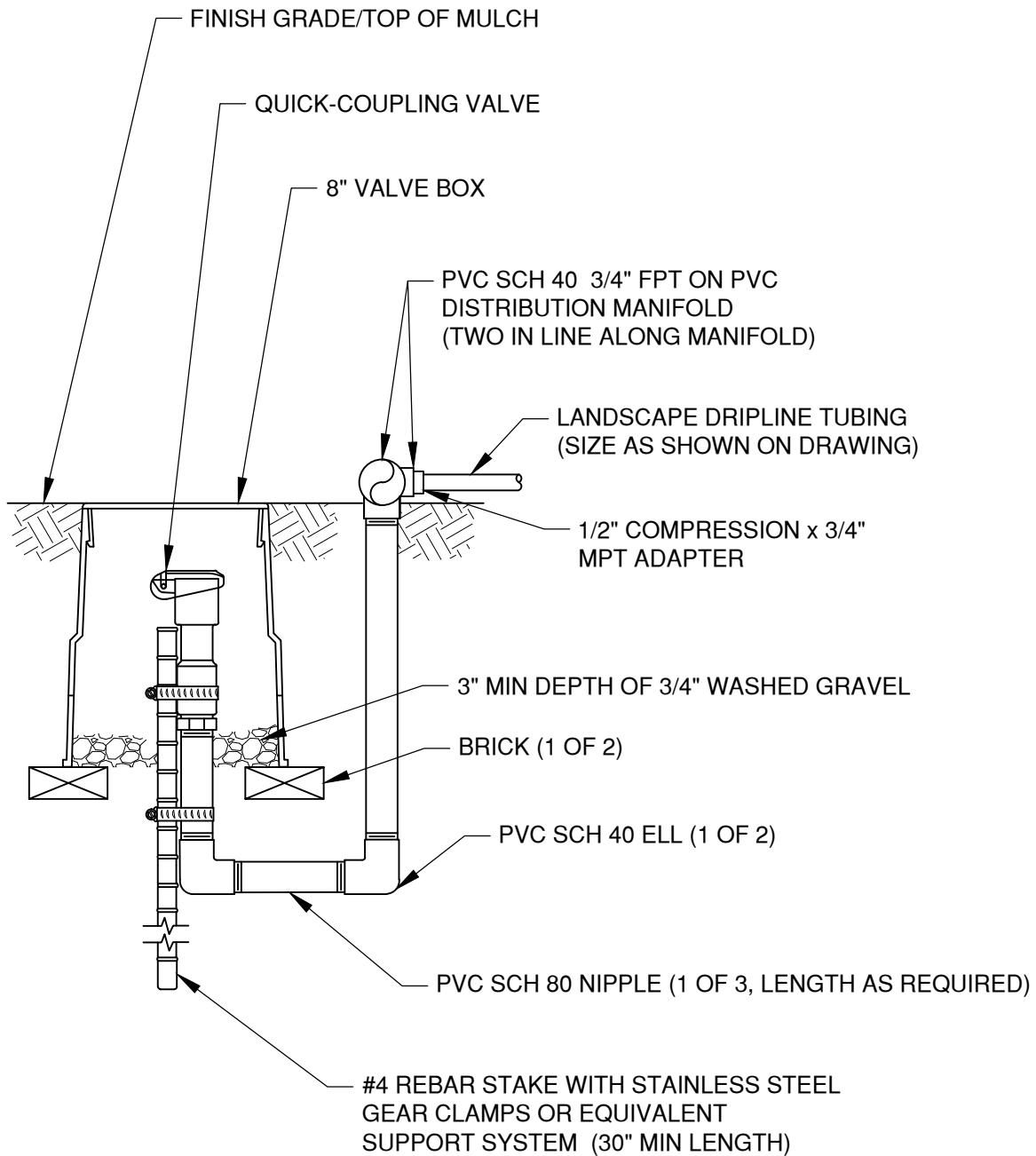
DRIPLINE 2" BELOW GRADE POTABLE SYSTEM

SCALE NTS

DATE 11/01/2024

APPR

STD DWG L-16



NOTES:

1. FURNISH FITTINGS AND PIPING NOMINALLY SIZED IDENTICAL TO NOMINAL QUICK COUPLING VALVE INLET SIZE

DRAWN LJC	
DIV LNDSCP	
REV	DATE



CITY OF BEND

CITY OF BEND

STANDARD DRAWING

710 NW WALL ST., BEND, OREGON 97701

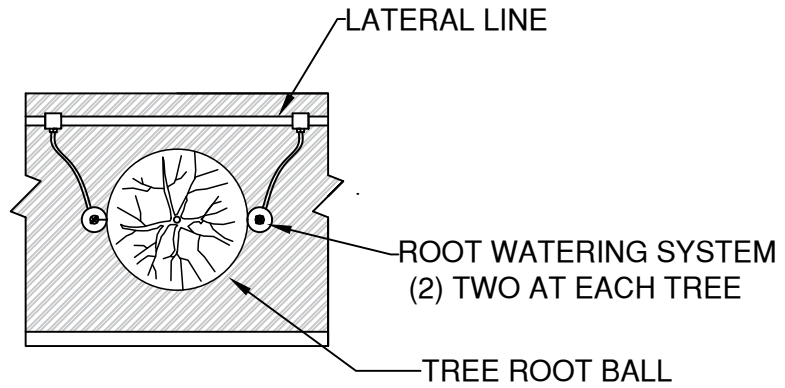
LANDSCAPE DRIPLINE FLUSH POINT POTABLE SYSTEM

SCALE NTS

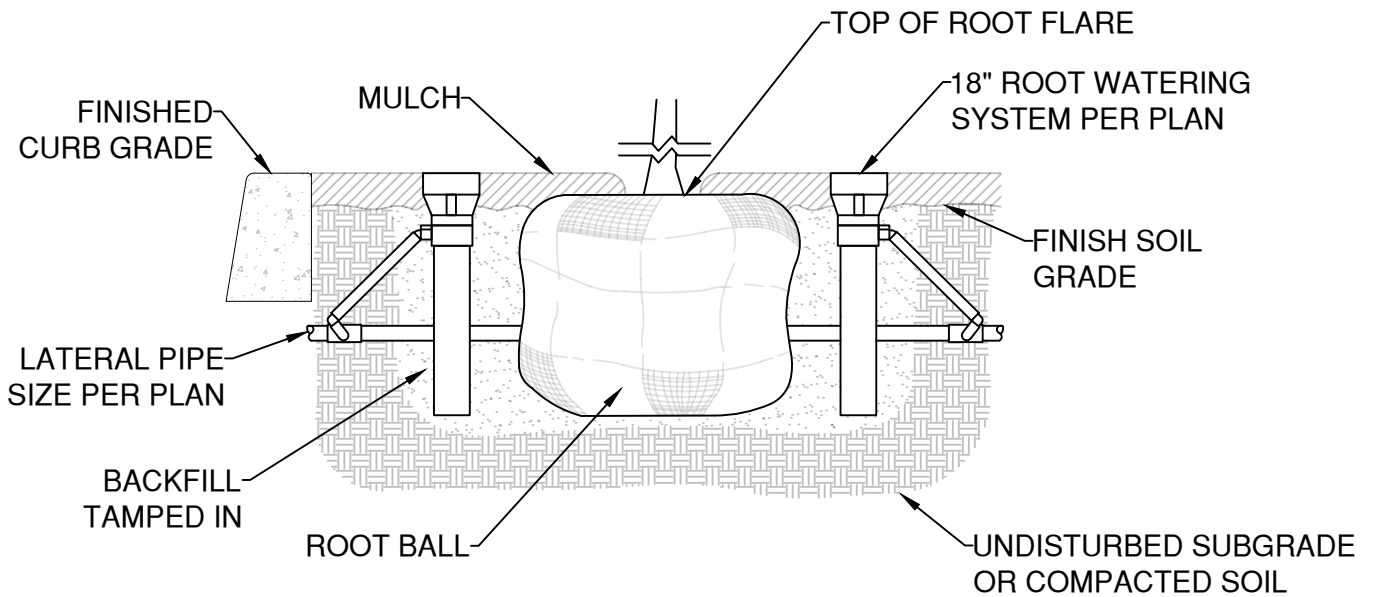
DATE 12/1/17

APPR

STD DWG L-17



PLAN



SECTION

NOTES:

1. POSITION UNITS EVENLY AND SPACED AROUND ROOT BALL OF TREE
2. INSTALL TOP OF ROOT WATER SYSTEM EVEN WITH TOP OF MULCH
3. INSTALL ONE ROOT WATERING SYSTEM WHEN SHOWN AS ONE ON PLAN SHEETS

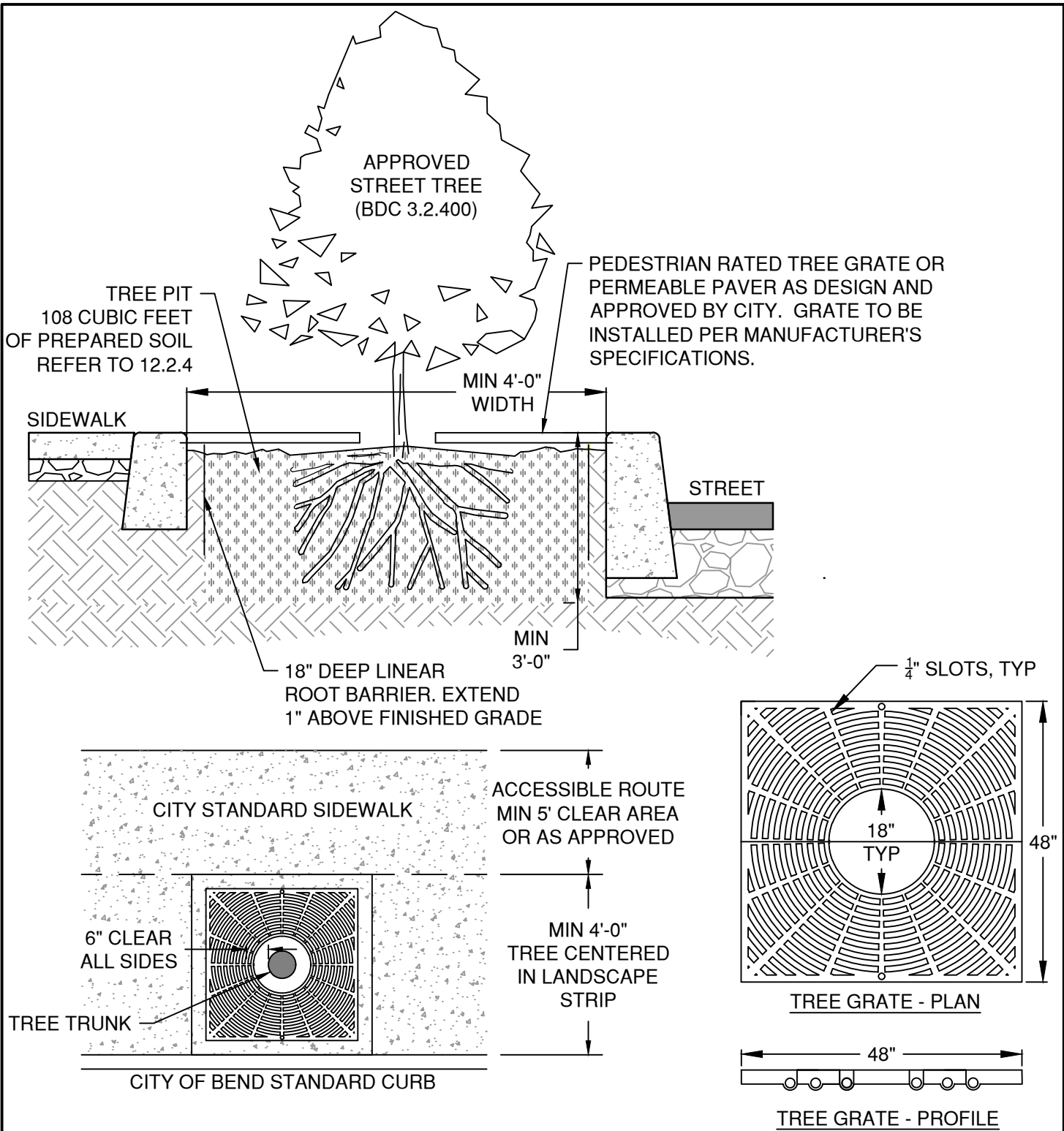
DRAWN ARI	
DIV	
REV	DATE



CITY OF BEND
 STANDARD DRAWING
 710 NW WALL ST., BEND, OREGON 97701

TREE ROOT WATERING SYSTEM DETAIL

SCALE NTS
DATE 04/16/2026
APPR
STD DWG L-18



NOTES:

1. MINIMUM TREE WELL DIMENSIONS DICTATED BY BEND DEVELOPMENT CODE 12.2.4.1.
2. VEGETATION WITHIN THE TREE WELL SHALL HAVE DRIP SYSTEM IRRIGATION INSTALLED PER L-18.
3. TREE GRATE SHALL BE EJ 8954 PLAZA SET, OR APPROVED EQUAL.

DRAWN AJD	
DIV LNDSCP	
REV	DATE



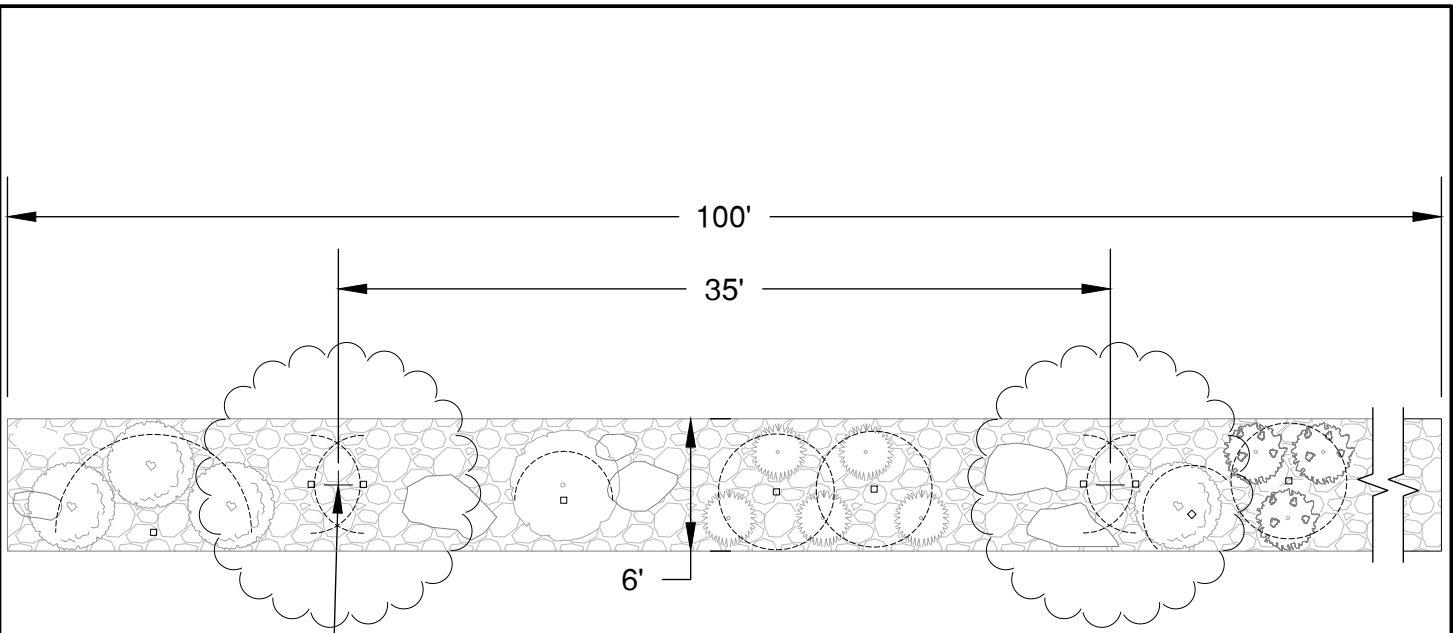
CITY OF BEND

CITY OF BEND
STANDARD DRAWING

710 NW WALL ST., BEND, OREGON 97701

TREE WELL DETAIL

SCALE NTS
DATE 01/31/2022
APPR
STD DWG L-19

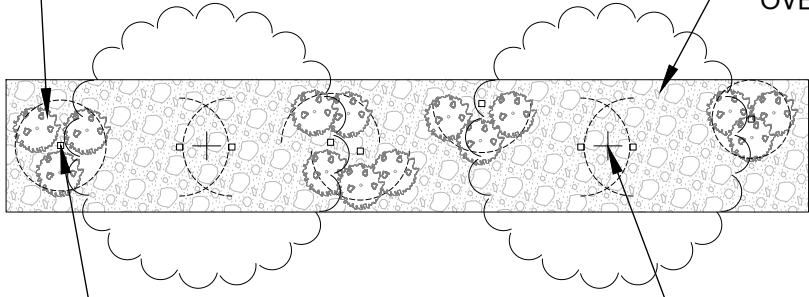


PLANT TREES IN CENTER OF MEDIAN

SPARSE PLANTING - LINEAR APPROACH
CLUSTER GROUP EXAMPLE

CLUSTER SHRUBS IN GROUPS OF 3 OR 5

ROCK MULCH GROUND COVER OVER WEED BARRIER



POP-UP STREAM BUBBLERS CENTERED IN SHRUB GROUPINGS

(2) RWS ROOT WATERING SYSTEM PER TREE, ON DEDICATED ZONE, INSTALLED OUTSIDE ROOTBALL

DRAWN ARS	
DIV LNDSCP	
REV	DATE

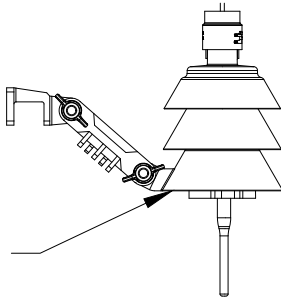


CITY OF BEND
STANDARD DRAWING
710 NW WALL ST., BEND, OREGON 97701

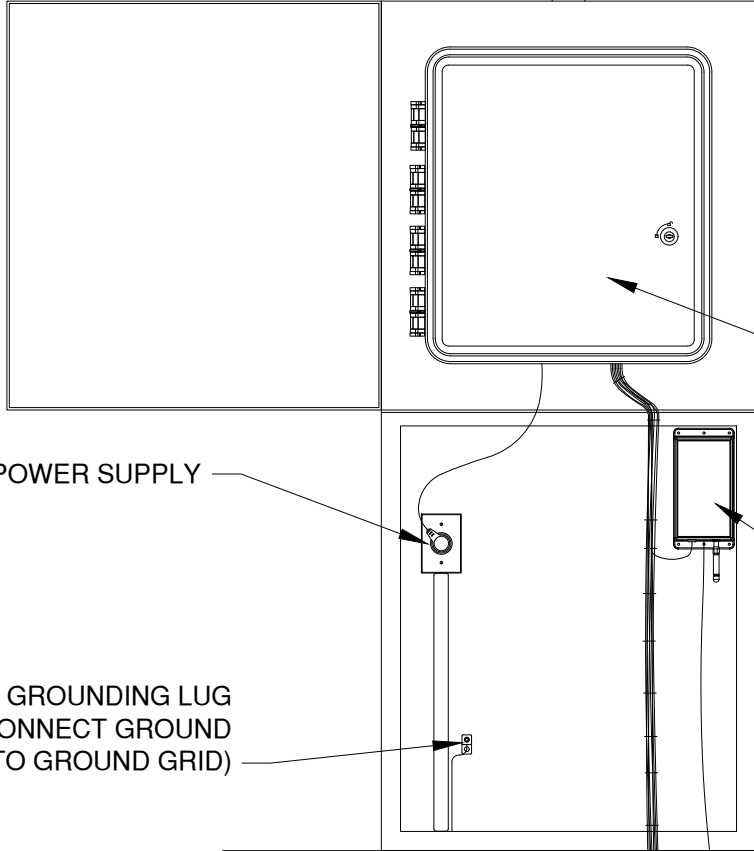
PLANTING DISTRIBUTIONS AND IRRIGATION LAYOUT

SCALE NTS
DATE 04/16/2026
APPR
STD DWG L-20

SLW WEATHER STATION, OR APPROVED EQUIVALENT, SYNCHRONIZE TO WEATHER STATION HUB IN CONTROLLER



SL-HG-ANT-LTE



SLPED-ENC PEDESTAL CABINET OR APPROVED EQUIVALENT, SEE NOTE 1

SL SERIES CONTROLLER OR APPROVED EQUIVALENT

POWER SUPPLY

SL-AIRCARD OR APPROVED EQUIVALENT

GROUNDING LUG (CONNECT GROUND WIRE TO GROUND GRID)

FINISH GRADE

CONDUIT 115V A.C.

CONDUIT 24V A.C., MIN 3/4" DIA

POWER SUPPLY WIRES
#8 SOLID INSULATED COPPER GROUND WIRE TO GROUND GRID

FLOW SENSOR CABLE

VALVE CONTROL WIRES, ONE PER VALVE

TO MASTER VALVE, OPTIONAL

NOTES:

- 1. STRONGBOX MPE WITH SB-1852SS, OR EQUIVALENT, MAY BE USED TO CONSOLIDATE COMPONENTS.

DRAWN	ARS
DIV	LNDSCP
REV	DATE

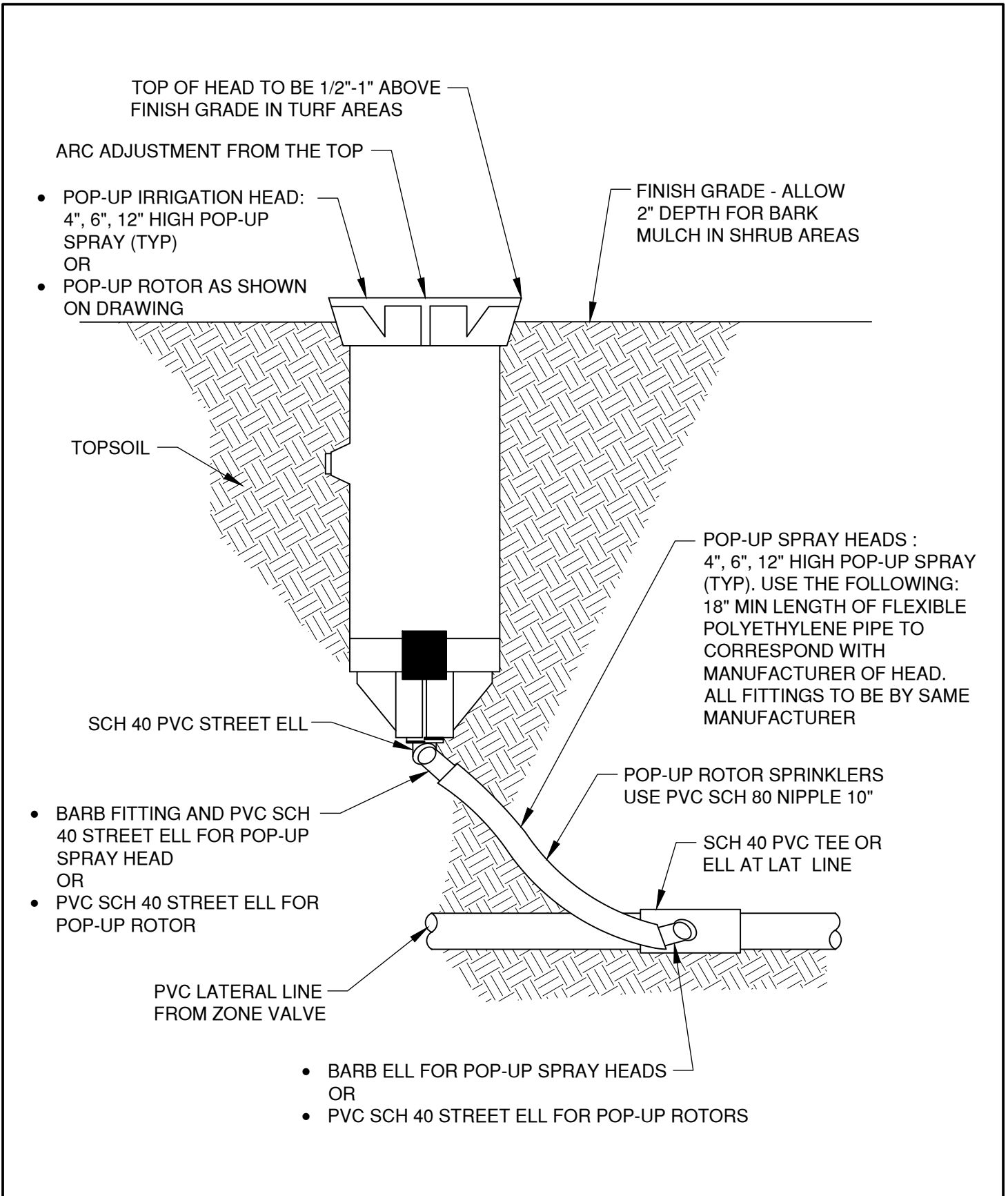


CITY OF BEND
STANDARD DRAWING

710 NW WALL ST., BEND, OREGON 97701

IRRIGATION CONTROLLER ENCLOSURE

SCALE	NTS
DATE	04/16/2026
APPR	
STD DWG	L-21



DRAWN LJC	
DIV LNDSCP	
REV	DATE



CITY OF BEND
 STANDARD DRAWING
 710 NW WALL ST., BEND, OREGON 97701

SPRINKLER HEAD AND JOINTS

SCALE NTS
DATE 04/16/2026
APPR
STD DWG L-23